

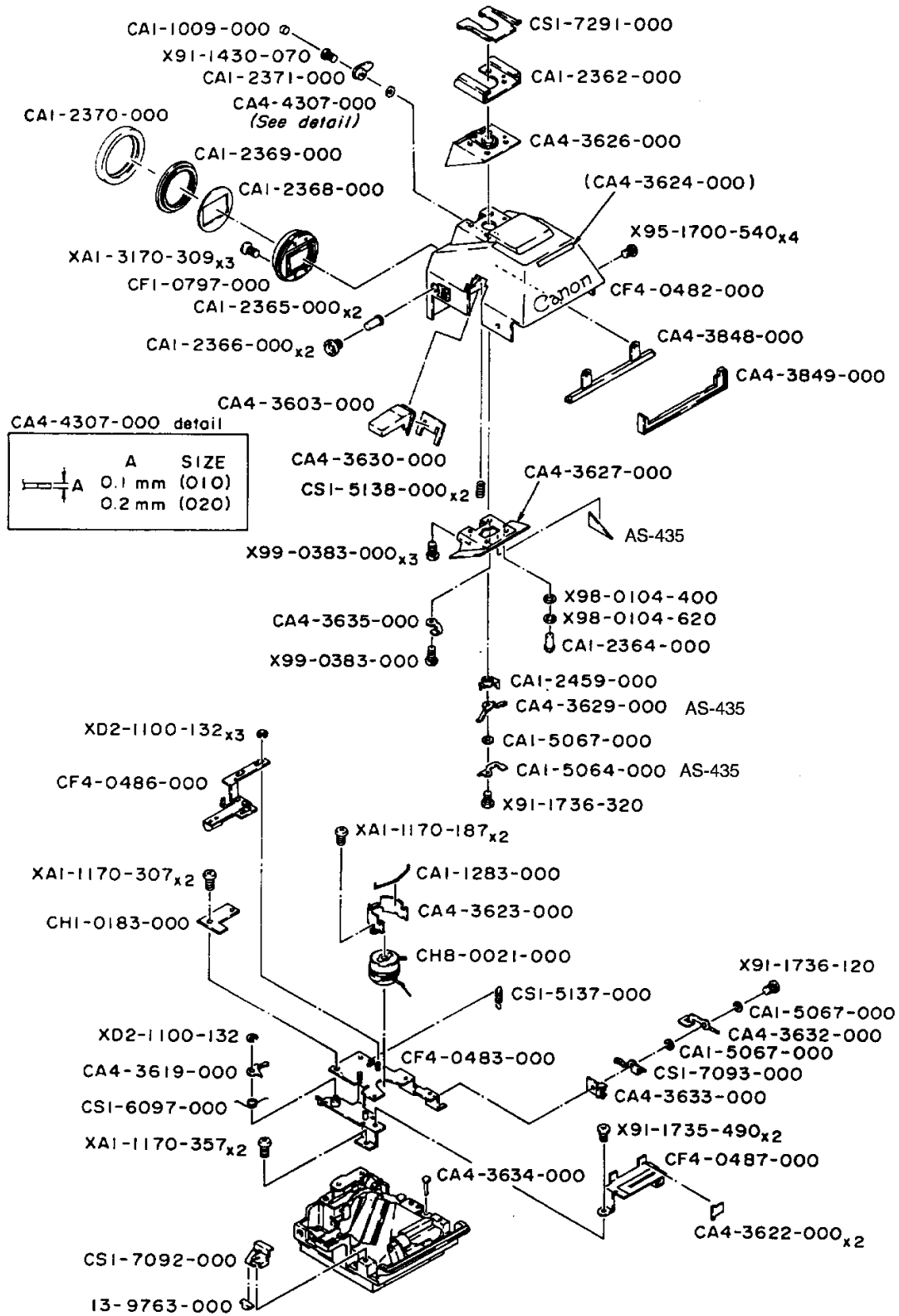
Canon

AE FINDER FN

C54-0841

**PARTS
CATALOG**

CANON AE FINDER FN



CANON AE FINDER FN

CAI-2344-000 detail

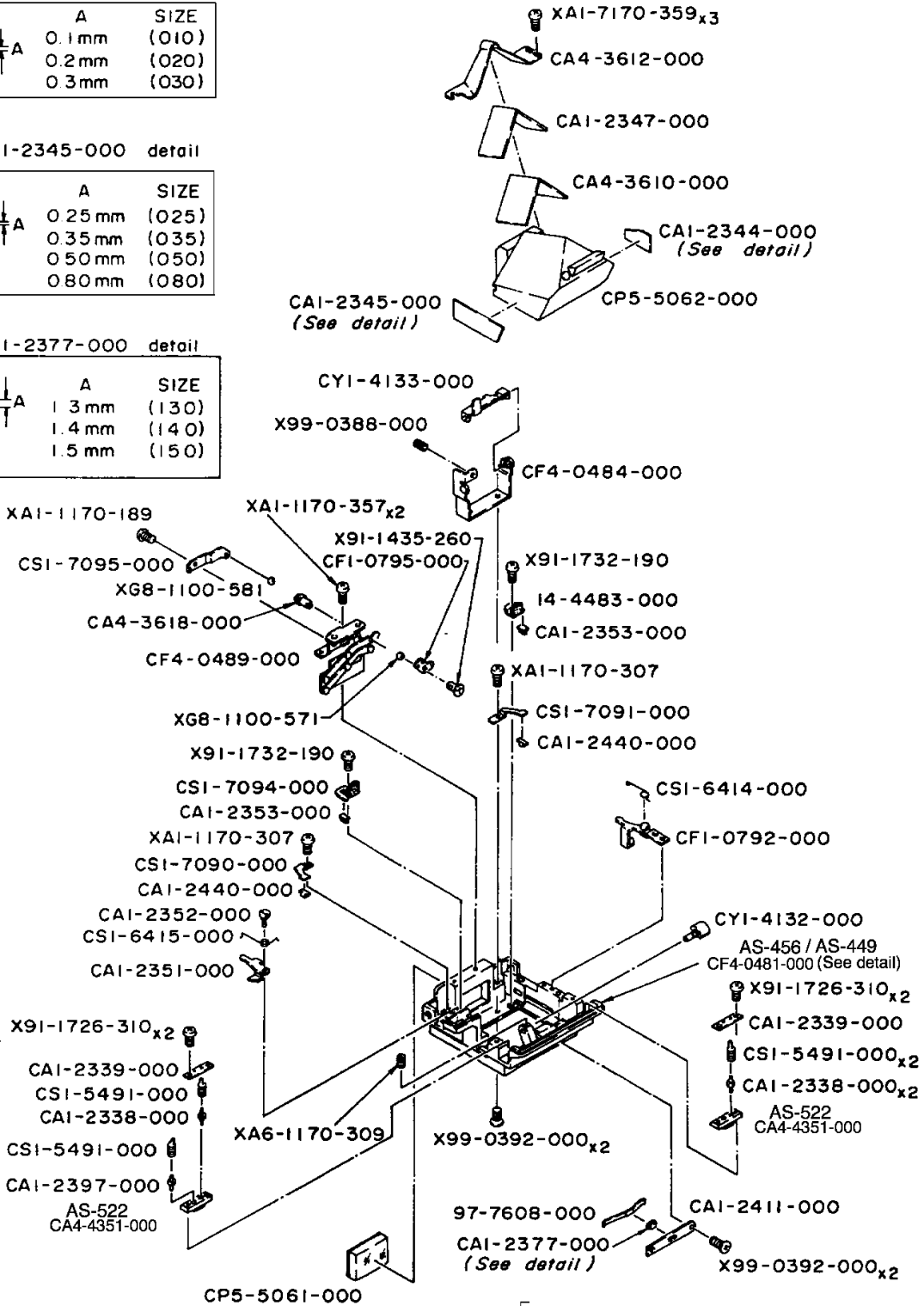
A	SIZE
0.1mm	(010)
0.2mm	(020)
0.3mm	(030)

CAI-2345-000 detail

A	SIZE
0.25mm	(025)
0.35mm	(035)
0.50mm	(050)
0.80mm	(080)

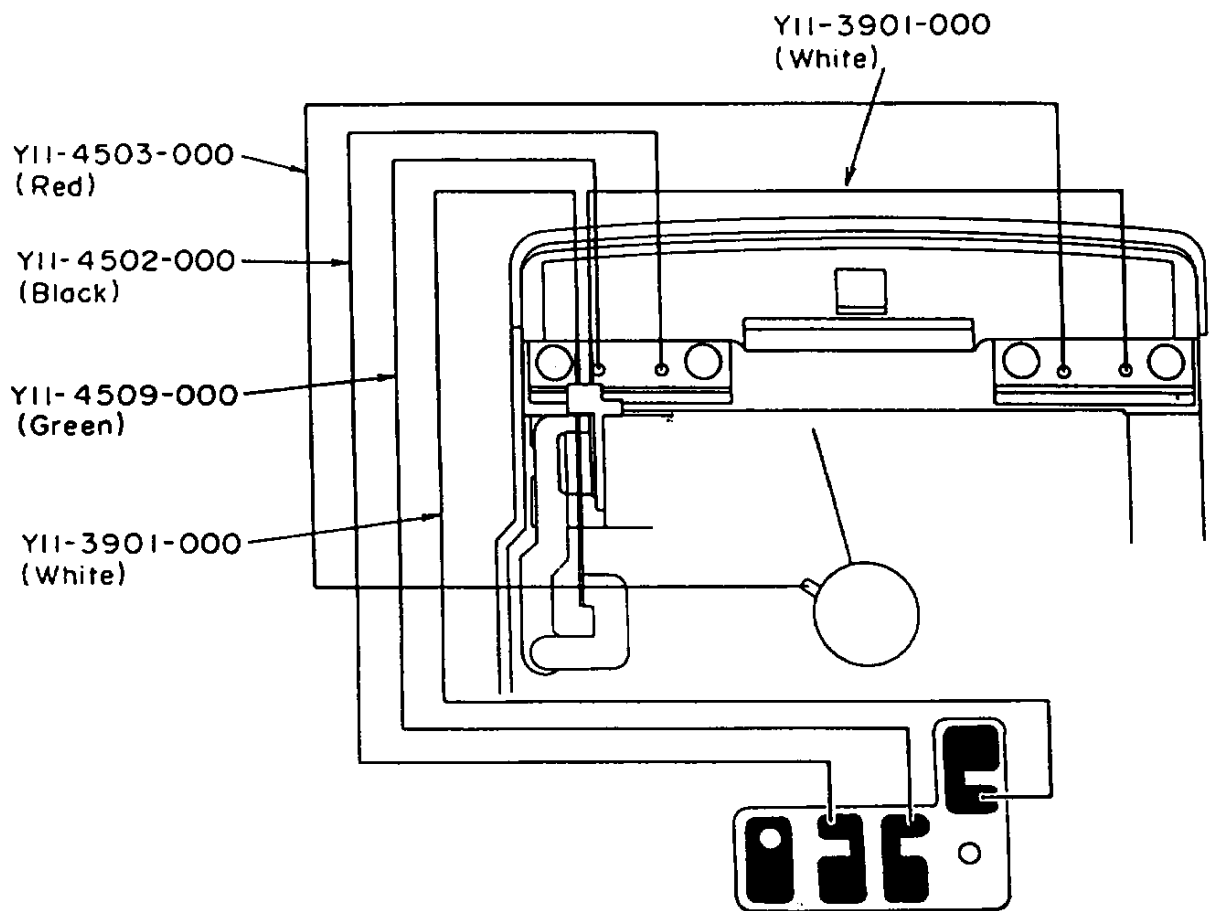
CAI-2377-000 detail

A	SIZE
1.3mm	(130)
1.4mm	(140)
1.5mm	(150)



- AS-456/AS-449
- CF4-0481-000 detail
- CAI-2340-000
- CAI-2342-000
- CAI-2341-000
- CAI-5194-000

WIRING DIAGRAM



PARTS LIST

REF.NO.C54-0841

Report.No.	NEW	PARTS NO.	CLASS	QTY	DESCRIPTION
		13-9763-000	C	1	PIN
		CA1-1009-000	B	1	COVER
		CA1-1283-000	C	1	BAR, METER HOLDER
		CA1-2362-000	C	1	SHOE, ACCESSORY
		CA1-2364-000	D	1	PIN
		CA1-2365-000	D	2	BUTTON, LOCK RELEASE
		CA1-2366-000	C	2	RING, BUTTON
		CA1-2368-000	B	1	MASK, EYEPIECE
		CA1-2369-000	B	1	RING, EYEPIECE
		CA1-2370-000	B	1	RING, EYEPIECE RUBBER
		CA1-2371-000	C	1	LEVER, EYEPIECE SHUTTER
AS-435		CA1-2459-000	E	1	BASE, CONTACT
		CA1-5064-000	E	1	CONTACT, SHOE
		CA1-5067-000	E	3	INSULATOR
		CA4-3603-000	C	1	COVER, SLIDER
		CA4-3619-000	E	1	LEVER
		CA4-3622-000	E	2	STOPPER, METER NEEDLE
		CA4-3623-000	E	1	HOLDER, METER
		CA4-3624-000	C	1	WINDOW, LIGHTING
		CA4-3626-000	C	1	BASE, ACCESSORY SHOE
		CA4-3627-000	E	1	PLATE, SHOE MOUNTING
AS-435		CA4-3629-000	E	1	CONTACT
		CA4-3630-000	D	1	SPACER
		CA4-3632-000	E	1	CONTACT
		CA4-3633-000	E	1	INSULATOR
		CA4-3634-000	D	1	PIN
		CA4-3635-000	E	1	CONTACT, EARTH
		CA4-3848-000	C	1	PLATE, ACCESSORY
		CA4-3849-000	C	1	PLATE, RUBBER
		CA4-4307-000	E	1	WASHER
		(ENTER SIZE WHEN ORDERING, SEE DETAIL)			
		CF1-0797-000	D	1	HOLDER, EYEPIECE
		CF4-0482-000	C	1	COVER
		CF4-0483-000	E	1	BASE, METER
		CF4-0486-000	E	1	SLIDER
		CF4-0487-000	D	1	SHUTTER SPEED INDEX ASS'Y
		CH1-0183-000	D	1	BOARD, PRINTED CIRCUIT
		CH8-0021-000	D	1	METER
		CS1-5137-000	D	1	SPRING, COIL
		CS1-5138-000	C	2	SPRING, COIL
		CS1-6097-000	E	1	SPRING
		CS1-7092-000	E	1	PLATE, SPRING
		CS1-7093-000	E	1	CONTACT
		CS1-7291-000	C	1	SPRING, PLATE
		X91-1430-070		1	SCREW
		X91-1735-490		2	SCREW, SLOTTED, FFH
		X91-1736-120		1	SCREW
		X91-1736-320		1	SCREW
		X95-1700-540		4	SCREW
		X98-0104-400		1	WASHER
		X98-0104-620		1	WASHER
		X99-0383-000		4	SCREW
		XA1-1170-187		2	SCREW
		XA1-1170-307		2	SCREW
		XA1-1170-357		2	SCREW
		XA1-3170-309		3	SCREW
		XD2-1100-132		4	E RING

PARTS LIST

REF.NO.C54-0841

Report.No.	NEW	PARTS NO.	CLASS	QTY	DESCRIPTION
		14-4483-000	D	1	HOLDER, PRISM
		97-7608-000	D	1	PLATE SPRING
		CA1-2338-000	D	3	PIN
		CA1-2339-000	E	2	INSULATOR
		CA1-2344-000	E	1	SPACER(LEFT)
		(ENTER SIZE WHEN ORDERING,			SEE DETAIL)
		CA1-2345-000	E	1	SPACER(RIGHT)
		(ENTER SIZE WHEN ORDERING,			SEE DETAIL)
		CA1-2347-000	E	1	CUSHION
		CA1-2351-000	E	1	LEVER, LOCK(RIGHT)
		CA1-2352-000	E	1	SHAFT, LOCK LEVER
		CA1-2353-000	D	2	PIN
		CA1-2373-000	C	1	MASK
		CA1-2377-000	D	1	PIN
		(ENTER SIZE WHEN ORDERING,			SEE DETAIL)
		CA1-2397-000	D	1	PIN, CONNECTOR
		CA1-2411-000	D	1	HOLDER, PIN
		CA1-2440-000	E	2	PIN
		CA4-0489-000	E	1	SHUTTER, EYEPIECE
		CA4-3610-000	E	1	SHEET, PENTAPRISM
		CA4-3612-000	E	1	HOLDER, PENTAPRISM
		CA4-3618-000	E	1	SHAFT, EYEPIECE SHUTTER
AS-522		CA4-4351-000	D	2	BASE, CONTACT
		CF1-0759-000	E	1	PLATE, CLICK
		CF1-0792-000	E	1	LEVER, LOCK
		CF1-0795-000	E	1	PLATE, CLICK
AS-449/456		CF4-0481-000	E	1	BODY, FINDER
(AS-449)		(CA1-2340-000)	D	1	
(AS-456)		(CA1-2341-000)	D	1	
(AS-449)		(CA1-2342-000)	D	1	
(AS-449)		(CN1-5194-000)	D	1	
		CF4-0484-000	E	1	HOLDER, MIRROR
		CF4-0489-000	E	1	SHUTTER, EYEPIECE
		CP5-5061-000	C	1	EYEPIECE
		CP5-5062-000	D	1	PENTAPRISM
		CS1-5491-000	E	4	SPRING, CONTACT
		CS1-6414-000	E	1	SPRING
		CS1-6415-000	E	1	SPRING
		CS1-7090-000	E	1	PLATE, SPRING
		CS1-7091-000	E	1	SPRING, PLATE
		CS1-7094-000	D	1	HOLDER, PRISM
		CS1-7095-000	E	1	SPRING, PLATE
		CY1-4132-000	E	1	MIRROR ASS'Y
		CY1-4133-000	D	1	PRISM ASS'Y
		X91-1435-260		1	SCREW, SLOTTED FFH
		X91-1726-310		4	SCREW, SLOTTED FFH
		X91-1732-190		2	SCREW
		X99-0388-000		1	SETSCREW, SLOTTED, HLRP
		X99-0392-000		4	SCREW
		XA1-1170-189		1	SCREW
		XA1-1170-307		2	SCREW
		XA1-1170-357		2	SCREW
		XA1-7170-359		3	SCREW
		XA6-1170-309		1	SETSCREW, SLOTTED, HLCP
		XG8-1100-571		1	BALL, STEEL
		XG8-1100-581		1	BALL, STEEL

ELECTRIC PARTS LIST

REF.NO.C54-0841

NEW	SYMBOL	PARTS NO.	CLASS	DESCRIPTION	REMARKS
		Y11-3901-000	2	LEAD, ASS'Y	WHITE
		Y11-4502-000	1	LEAD, ASS'Y	BLACK
		Y11-4503-000	1	LEAD, ASS'Y	RED
		Y11-4509-000	1	LEAD, ASS'Y	GREEN