

Canon

EF 500mm 1:4.5 L USM
REF.NO.C21-8352

CANON LENS HOOD

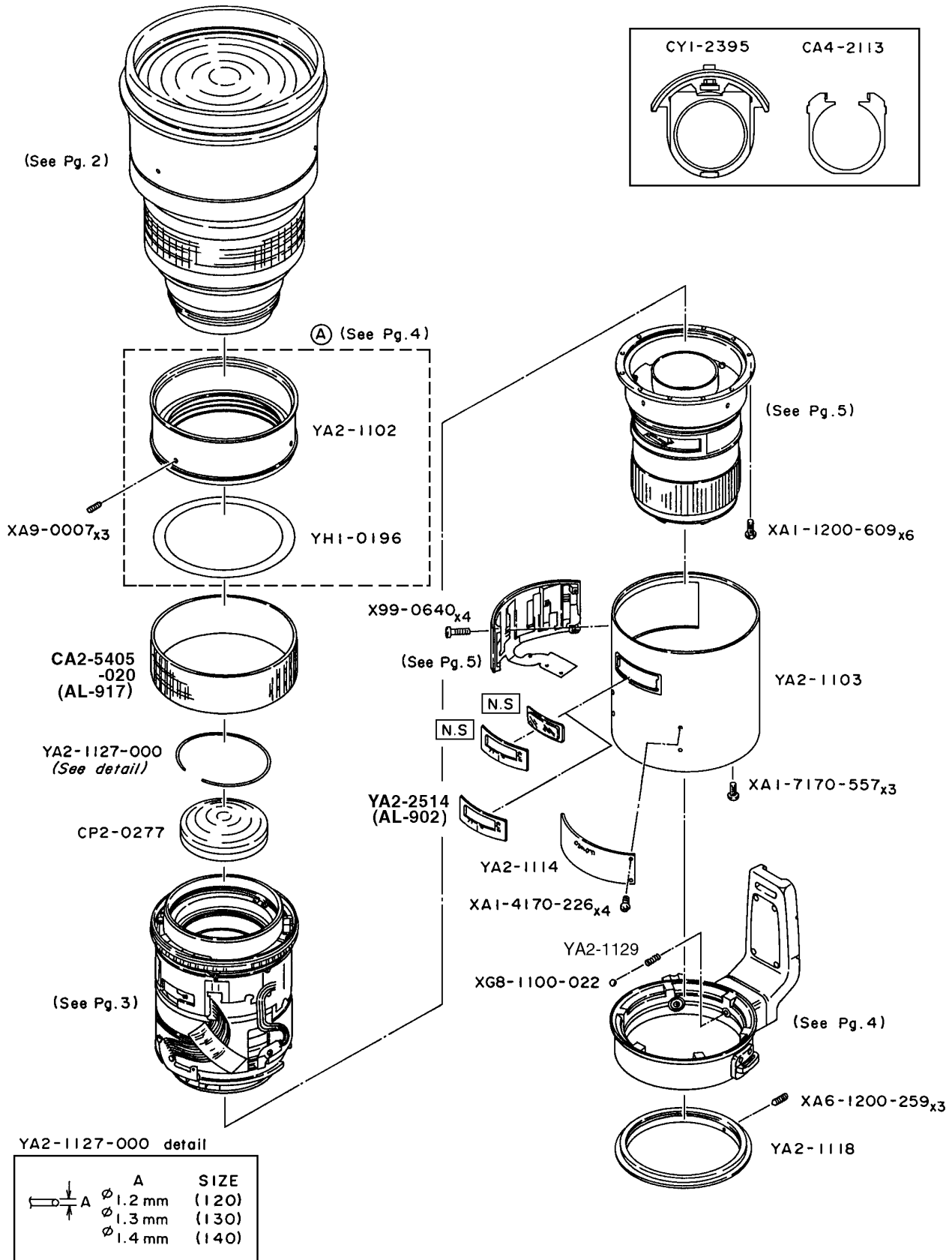
ET-123B	FOR EF500mm 1:4.5L	C44-8161
ET-123B II	FOR EF500mm 1:4.5L	C44-8162

PARTS

CATALOG

CANON LENS EF 500mm 1:4.5 LUSM

REF.NO. C21-8352

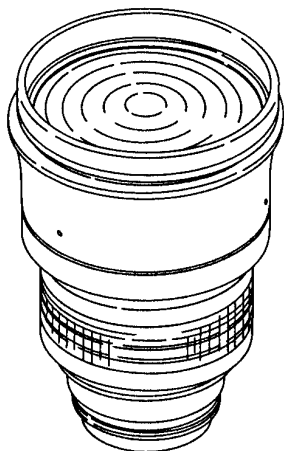


CANON LENS EF 500mm 1:4.5 LUSM

REF.NO. C21-8352

CA2-1410-000 detail

	A	SIZE
	∅ 1.0 mm	(100)
	∅ 1.2 mm	(120)

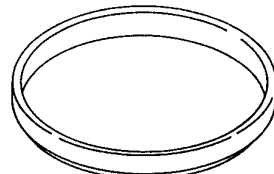


N.S

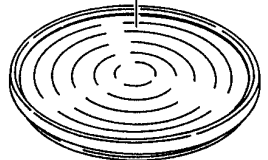
XA6-1200-509_{x3}

CA2-2987-000 detail

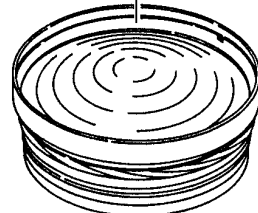
	A	SIZE
	∅ 0.8 mm	(080)
	∅ 0.9 mm	(090)
	∅ 1.0 mm	(100)
	∅ 1.2 mm	(120)



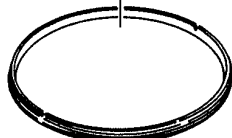
CA2-6230



N.S



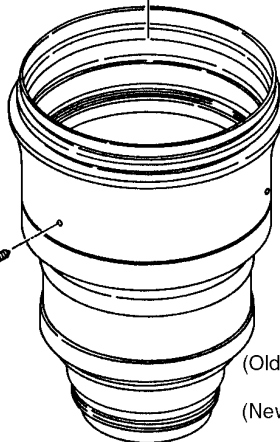
N.S



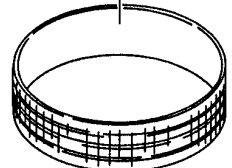
CA2-2986



(Old) CN2-0274
(New) YN2-0730
(AL-039)



(Old) YA2-1104-001
(AL-916)
(New) YA2-3112
(AL-039)



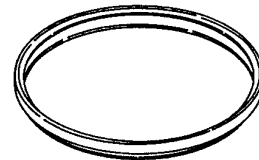
YA2-1105-050
(AL-917)



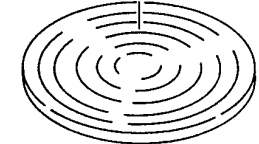
CN2-0275



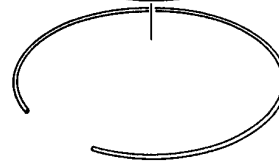
CA2-2987-000
(See detail)



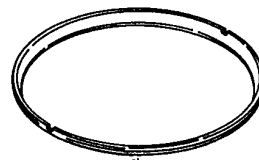
(Old) CY1-2647
(AL-934)
(New) CY1-2787
(AL-025)



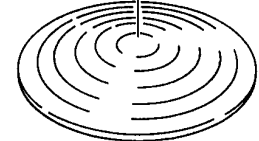
(Old) CN2-0271
(New) YN2-0650
(AL-025)



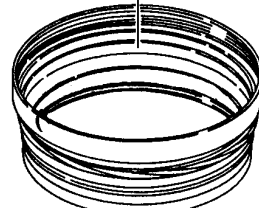
CA2-1410-000
(See detail)



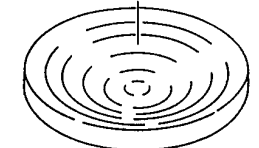
CA2-2984



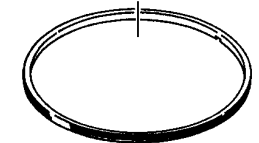
(Old) CN2-0272
(New) YN2-0728
(AL-039)



(Old) CA2-2981-040
(AL-760)
(New) YA2-3111
(AL-039)



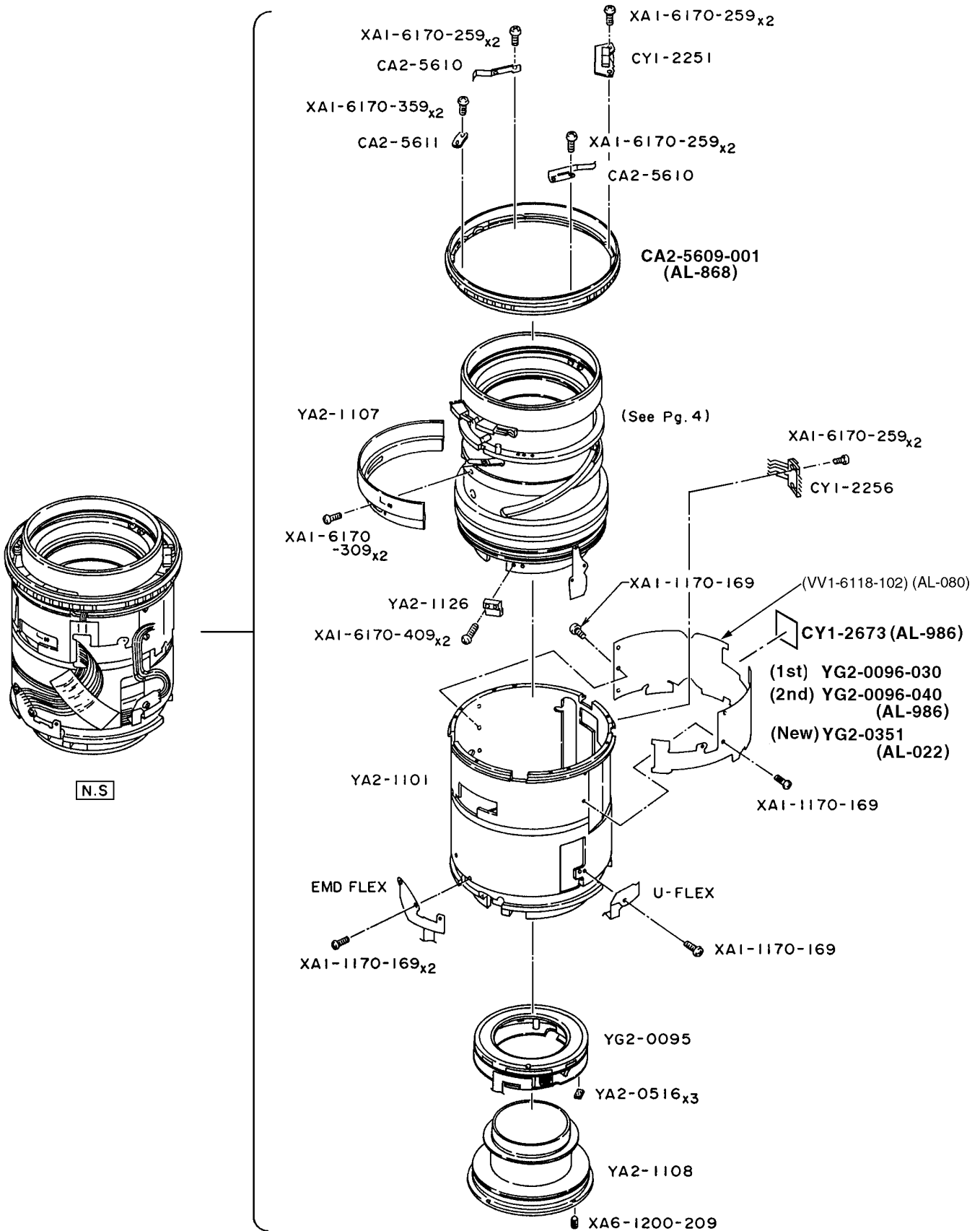
CY1-2602 (AL-886)



CA2-2985

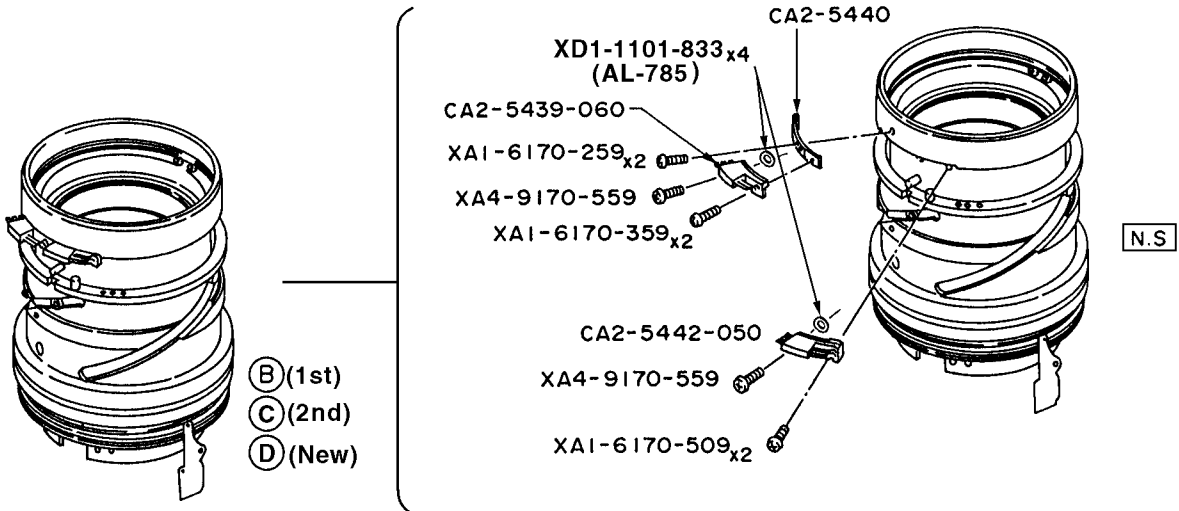
CANON LENS EF 500mm 1:4.5 LUSM

REF.NO. C21-8352

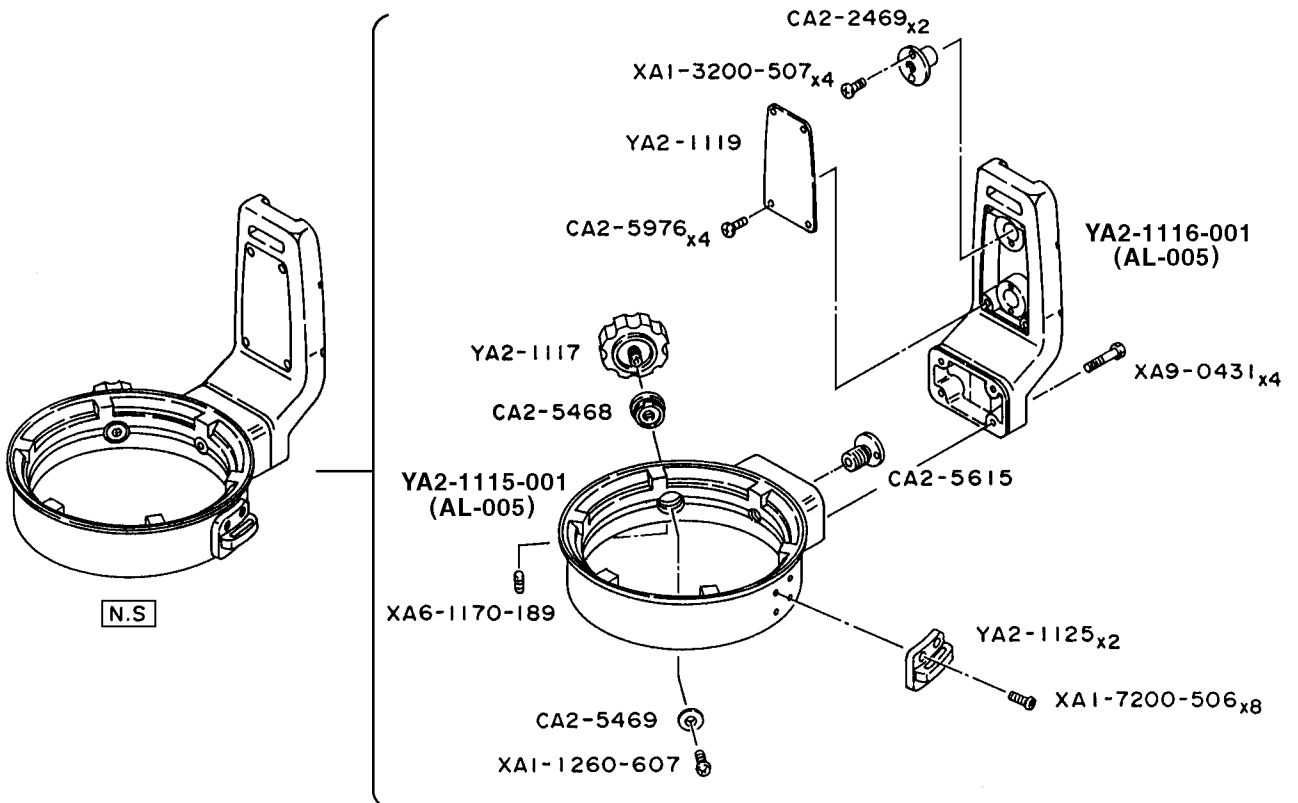


CANON LENS EF 500mm 1:4.5 LUSM

REF.NO. C21-8352

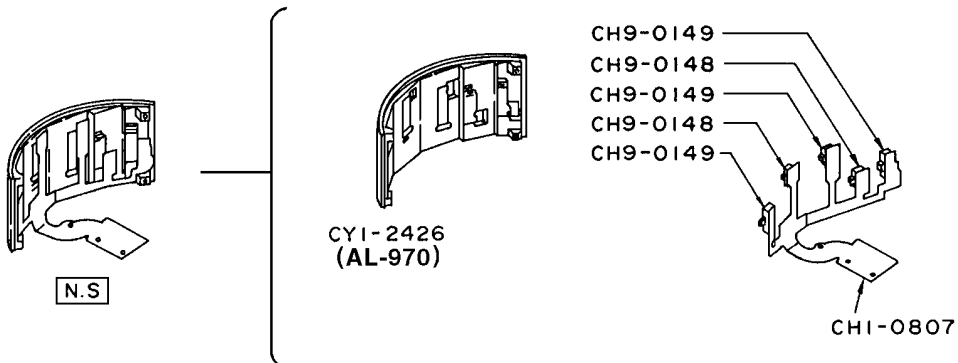
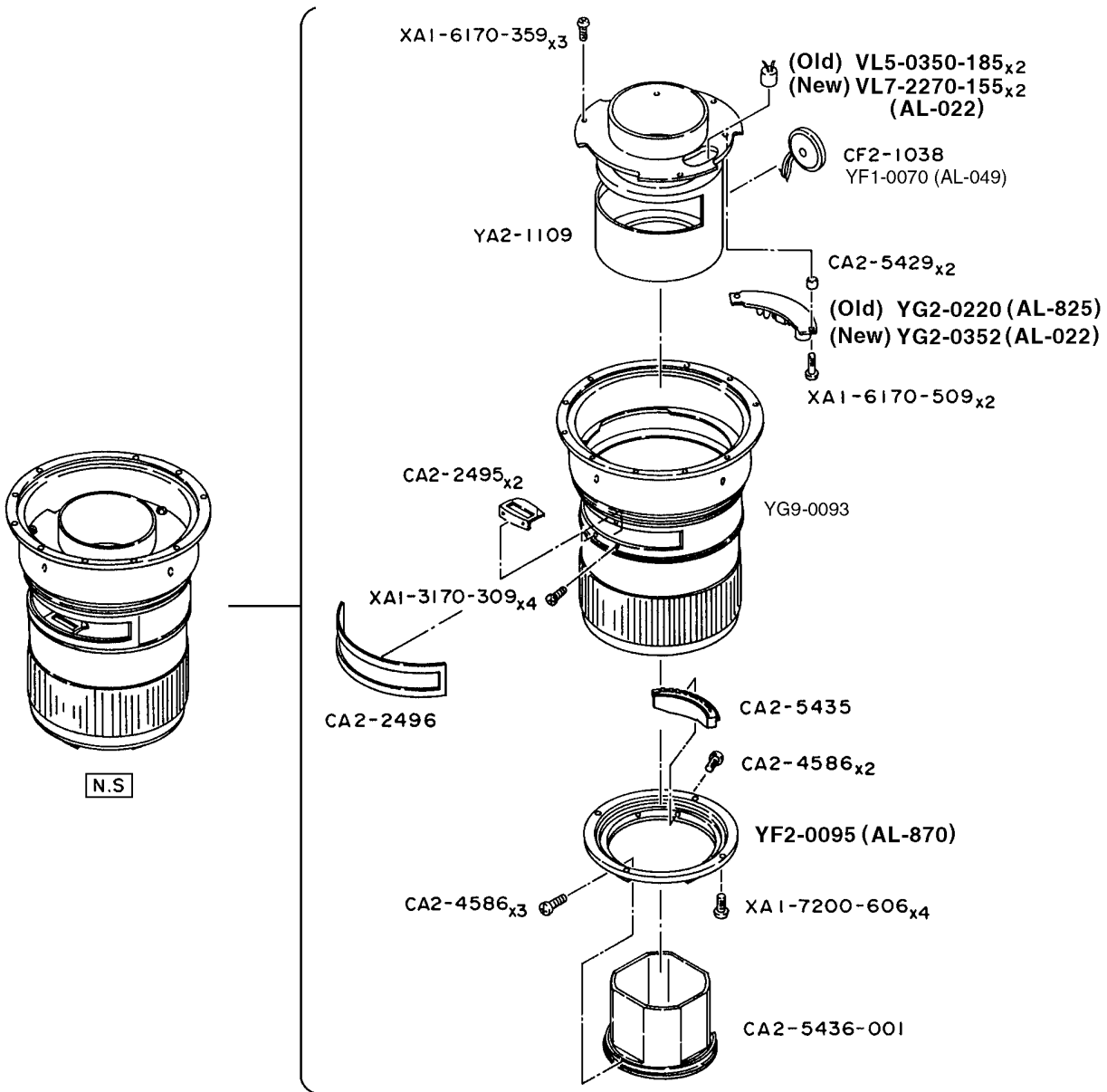


- (1st) CY1-2425 { (A) (See Pg. 1)
 (B)
- (2nd) N.S. (AL-986) { (A) (See Pg. 1)
 (C)
- (New) CY1-2797 { (A) (See Pg. 1)
 (AL-022) (D)



CANON LENS EF 500mm 1:4.5 LUSM

REF.NO. C21-8352



PARTS LIST

REF.NO. C21-8352

NEW	PARTS NO.	CLASS	QTY	DESCRIPTION	PAGE
	CA2-1410-000 (XXX)	E	1	RING, SNAP	2
	CA2-2469-000	D	2	SOCKET, TRIPOD	4
	CA2-2495-000	D	2	GUIDE, FILTER	5
	CA2-2496-000	C	1	SEAL, RUBBER	5
	CA2-2981-040	E	1	BARREL, FRONT LENS	2
	CA2-2984-000	E	1	COLLAR, ASSEMBLY	2
	CA2-2985-000	E	1	COLLAR, ASSEMBLY	2
	CA2-2986-000	E	1	COLLAR, ASSEMBLY	2
	CA2-2987-000 (XXX)	E	1	RING, SNAP	2
	CA2-4586-000	E	5	SCREW, CROSS-RECESS, PH	5
	CA2-5405-020	D	1	RING, RUBBER	1
	CA2-5429-000	E	2	SPACER	5
	CA2-5435-000	D	1	CONTACT ASS'Y	5
	CA2-5436-001	D	1	COVER, BACK	5
	CA2-5439-060	E	1	CONTACT L	4
	CA2-5440-000	E	1	ADJUST BASE, E BRUSH	4
	CA2-5442-050	E	1	CONTACT R	4
	CA2-5468-000	E	1	NUT, LOCK	4
	CA2-5469-000	E	1	WASHER	4
	CA2-5609-001	D	1	RING, FOCUS PRESET	3
	CA2-5610-000	E	2	SPRING, PLATE	3
	CA2-5611-000	E	1	STOPPER, F.P. RING	3
	CA2-5615-000	E	1	HOLDER, BALL	4
	CA2-5976-000	D	4	SCREW,	4
	CA2-6230-000	E	1	PROTECTOR	2
	CA4-2113-000	D	1	HOLDER, GELATIN	1
	CF2-1038-000	E	1	BEEPER	5
	CH1-0807-000	E	1	SW-FLEX	5
	CH9-0148-000	E	2	SWITCH, SLIDE	5
	CH9-0149-000	E	3	SWITCH, SLIDE	5
	CN2-0271-000	C	1	LENS, G1 (Old)	2
	CN2-0272-000	E	1	LENS, G2	2
	CN2-0274-000	C	1	LENS, G4	2
	CN2-0275-000	E	1	LENS, G5	2
	CP2-0277-000	E	1	LENS, G6/7	1
	CY1-2251-000	E	1	PRESET SWITCH UNIT	3
	CY1-2256-000	D	1	FOCUSING CONTACT UNIT	3
	CY1-2395-000	D	1	FILTER HOLDER UNIT	1
	CY1-2425-000	D	1	FOCUSING UNIT (1st)	4
	CY1-2426-000	D	1	SWITCH PANEL UNIT	5
	CY1-2602-000	E	1	LENS, G3	2
	CY1-2647-000	E	1	BARREL, LENS (Old)	2
	CY1-2673-000	D	1	PCB ASS'Y, RELAY	3
	CY1-2787-000	E	1	BARREL, LENS (New)	2
	CY1-2797-000	D	1	FOCUSING UNIT (New)	4

PARTS LIST

REF.NO. C21-8352

NEW	PARTS NO.	CLASS	QTY	DESCRIPTION	PAGE
	VL5-0350-185	E	2	COIL (Old)	5
	VL7-2270-155	E	2	COIL (New)	5
	VV1-6118-102	D	1	RESISTOR,1K 1/10W	3
	X99-0640-000		4	SCREW, CROSS-RECESS, PH	1
	XA1-1170-169		5	SCREW, CROSS-RECESS, PH	3
	XA1-1200-609		6	SCREW, PH2X6	1
	XA1-1260-607		1	SCREW, PH 2.6X6	4
	XA1-3170-309		4	SCREW, CROSS-RECESS, PH	5
	XA1-3200-507		4	SCREW, FTH2X5	4
	XA1-4170-226		4	SCREW, CROSS-RECESS, PH	1
	XA1-6170-259		10	SCREW, CROSS-RECESS, PH	3,4
	XA1-6170-309		2	SCREW, CROSS-RECESS, PH	3
	XA1-6170-359		7	SCREW, CROSS-RECESS, PH	3,4,5
	XA1-6170-409		2	SCREW, CROSS-RECESS, PH	3
	XA1-6170-509		4	SCREW, CROSS-RECESS, PH	4,5
	XA1-7170-557		3	SCREW, CROSS-RECESS, PH	1
	XA1-7200-506		8	SCREW, CROSS-RECESS, PH	4
	XA1-7200-606		4	SCREW, CROSS-RECESS, PH	5
	XA4-9170-559		2	SCREW, CROSS-RECESS, PH	4
	XA6-1170-189		1	SETSCREW, SLOTTED, HLCP	4
	XA6-1200-209		1	SETSCREW, SLOTTED, HLCP	3
	XA6-1200-259		3	SETSCREW, SLOTTED, HLCP	1
	XA6-1200-509		3	SETSCREW, SLOTTED, HLCP	2
	XA9-0007-000		3	SETSCREW, SLOTTED, HLCP	1
	XA9-0431-000		4	BOLT, HEXAGON SOCKET	4
	XD1-1101-833		4	WASHER	4
	XG8-1100-022		1	BALL, STEEL	1
	YA2-0516-000	E	3	RUBBER, FRICTION	3
	YA2-1101-000	E	1	SLEEVE	3
	YA2-1102-000	E	1	RING, M-FOCUS	1
	YA2-1103-000	D	1	SLEEVE, INDICATOR	1
	YA2-1104-001	D	1	BARREL, FRONT LENS	2
	YA2-1105-050	D	1	RING, RUBBER	2
	YA2-1107-000	E	1	SCALE, FOCUSING	3
	YA2-1108-000	E	1	SLEEVE, LIGHT SHIELD	3
	YA2-1109-000	E	1	SLEEVE, IRIS	5
	YA2-1114-000	D	1	PLATE, NAME	1
	YA2-1115-001	D	1	RING, TRIPOD	4
	YA2-1116-001	D	1	BASE, TRIPOD	4
	YA2-1117-000	D	1	KNOB	4
	YA2-1118-000	E	1	COLLAR, ASSEMBLY	1
	YA2-1119-000	E	1	PLATE, COVER	4
	YA2-1125-000	D	2	LUG, STRAP	4
	YA2-1126-000	E	1	STOPPER	3
	YA2-1127-000 (XXX)	E	1	RING, SNAP	1

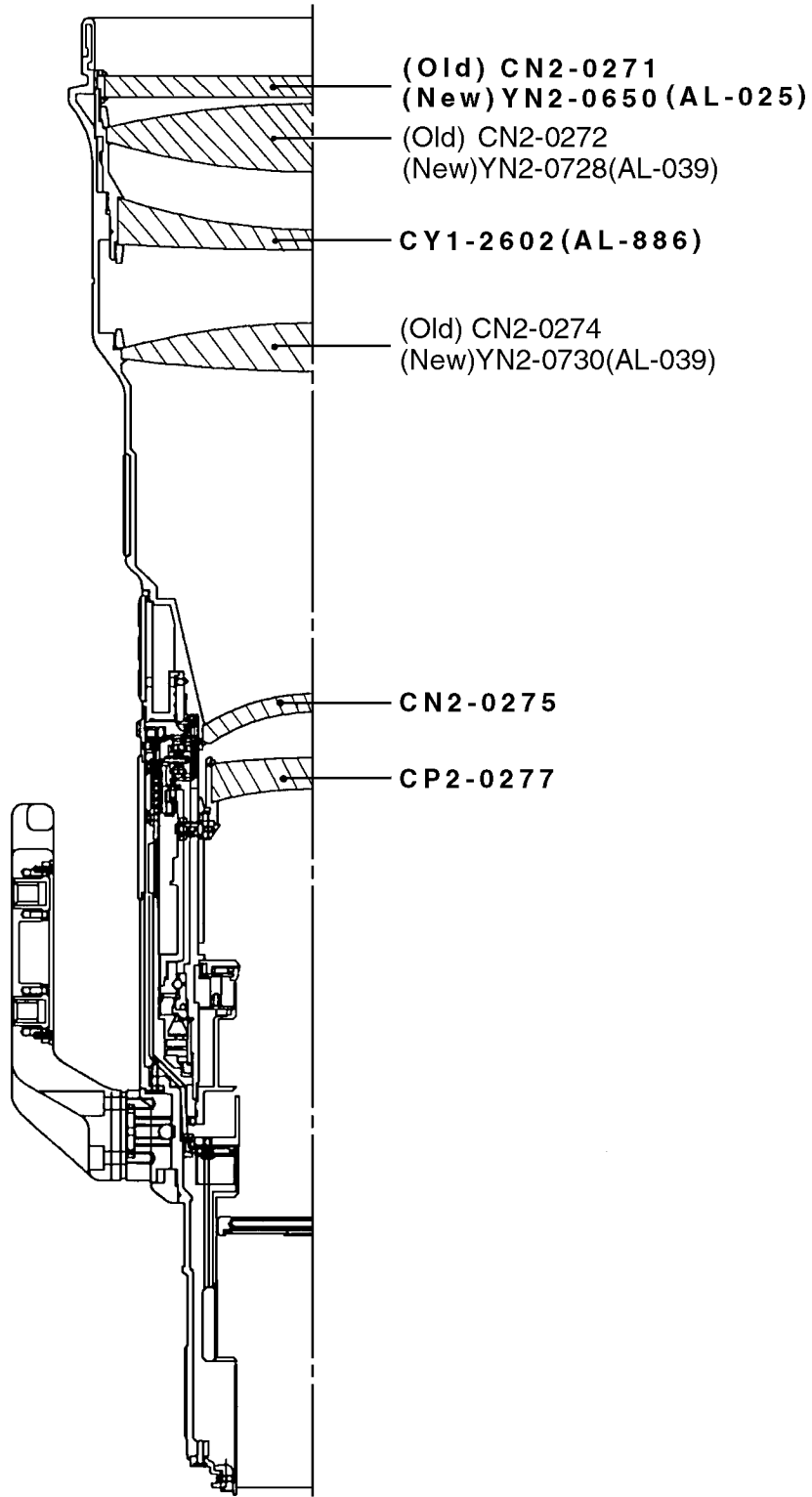
PARTS LIST

REF.NO. C21-8352

NEW	PARTS NO.	CLASS	QTY	DESCRIPTION	PAGE
	YA2-1129-000	E	1	SPRING, COIL	1
	YA2-2514-000	D	1	SCALE, DEPTH OF FIELD	1
	YA2-3111-000	E	1	BARREL, FRONT LENS(New)	2
	YA2-3112-000	E	1	BARREL, FRONT LENS(New)	2
	YF1-0070-000	E	1	BEEPER	5
	YF2-0095-000	D	1	MOUNT, LENS	5
	YG2-0095-000	D	1	POWER DIAPHRAGM UNIT	3
	YG2-0096-030	D	1	FPC ASS'Y, MAIN (1st)	3
	YG2-0096-040	D	1	FPC ASS'Y, MAIN (2nd)	3
	YG2-0220-000	D	1	CONVERTER, DC/DC (Old)	5
	YG2-0351-000	D	1	FPC ASS'Y, MAIN (New)	3
	YG2-0352-000	D	1	CONVERTER, DC/DC (New)	5
	YG9-0093-000	D	1	BARREL, FIXED	5
	YH1-0196-000	D	1	CONTACT BOARD, M-FOCUS	1
	YN2-0650-000	C	1	LENS, G1 (New)	2
	YN2-0728-000	E	1	LENS, G2(New)	2
	YN2-0730-000	E	1	LENS, G4(New)	2

CANON LENS EF 500mm 1:4.5 LUSM

REF.NO. C21-8352



CANON LENS HOOD

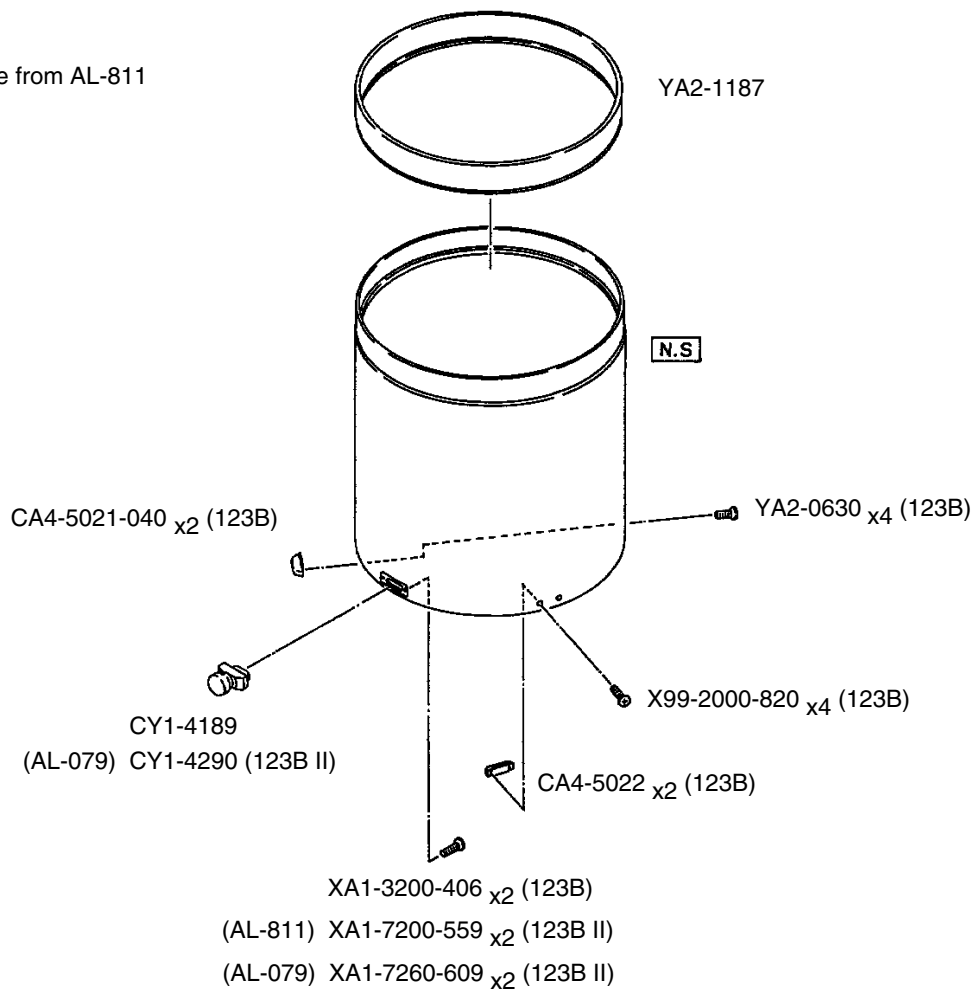
ET-123B For EF 500 mm 1:4.5 L

ET-123B II For EF 500 mm 1:4.5 L

C44-8161

C44-8162

*123B II Type from AL-811



PARTS LIST

REF.NO. C44-8161
C44-8162

LENS HOOD ET-123B, ET123B II

NEW	PART NO.	CLASS	QTY	DESCRIPTION	PAGE
	CA4-5021-040	E	2	TAB-1, HOOD	9
	CA4-5022-000	E	2	TAB-2, HOOD	9
	CY1-4189-000	D	1	LOCK UNIT	9
	CY1-4290-000	D	1	LOCK UNIT	9
	X94-2000-820		4	SCREW	9
	XA1-3200-406		2	SCREW	9
	XA1-7200-559		2	SCREW	9
	XA1-7260-609		2	SCREW	9
	YA2-0630-000		4	SCREW	9
	YA2-1187-000	D	1	PROTECTOR	9