

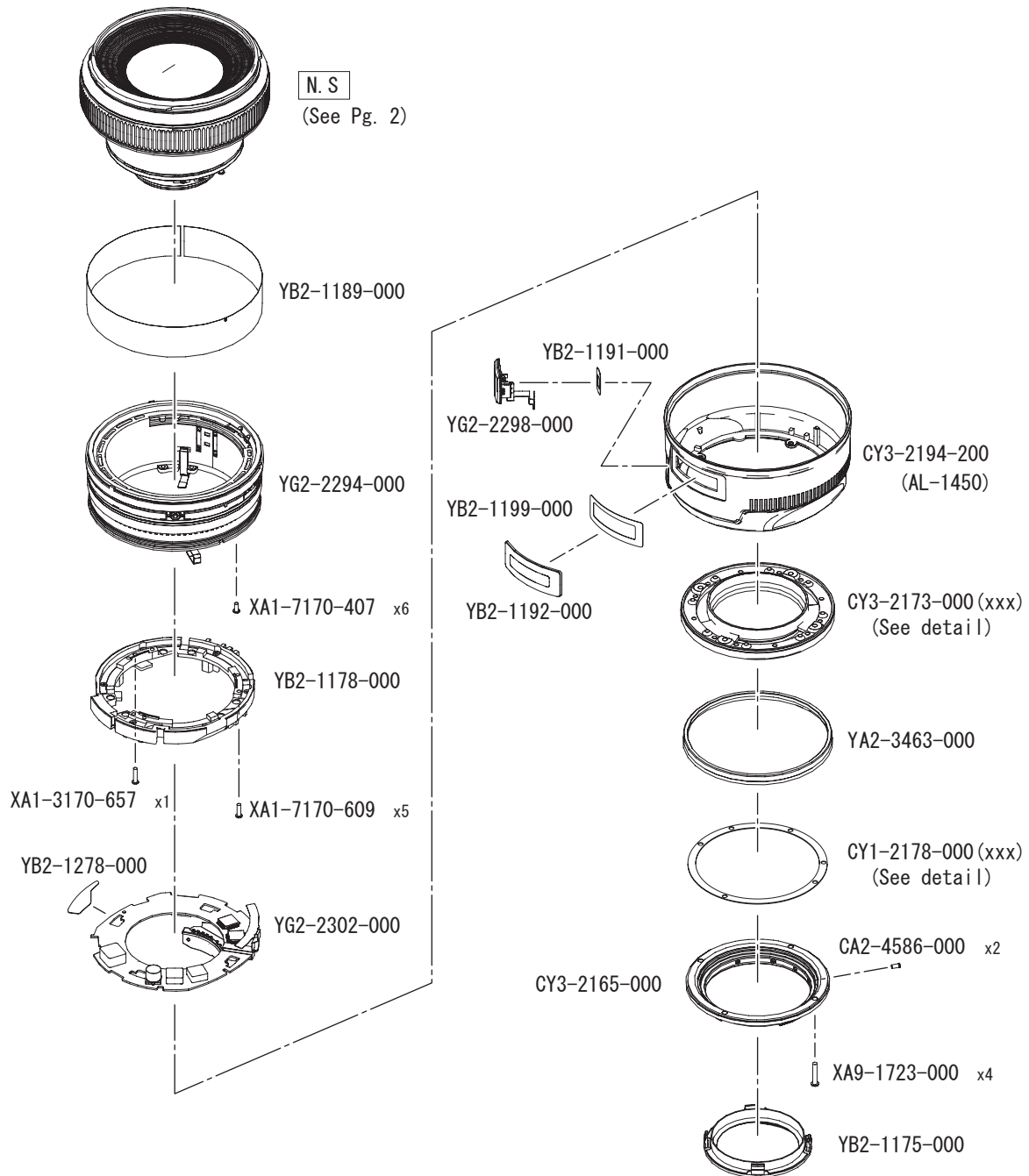
**Canon**

**EF 50 mm 1:1.2L USM**

**REF. NO.C21-6291**

**PARTS  
CATALOG**

CANON LENS EF 50 mm 1:1.2L USM



CY3-2173-000 (XXX) detail

	A	SIZE
	3.4 mm	(340)
	3.5 mm	(350)
	3.6 mm	(360)
	3.7 mm	(370)

CY1-2178-000 (XXX) detail

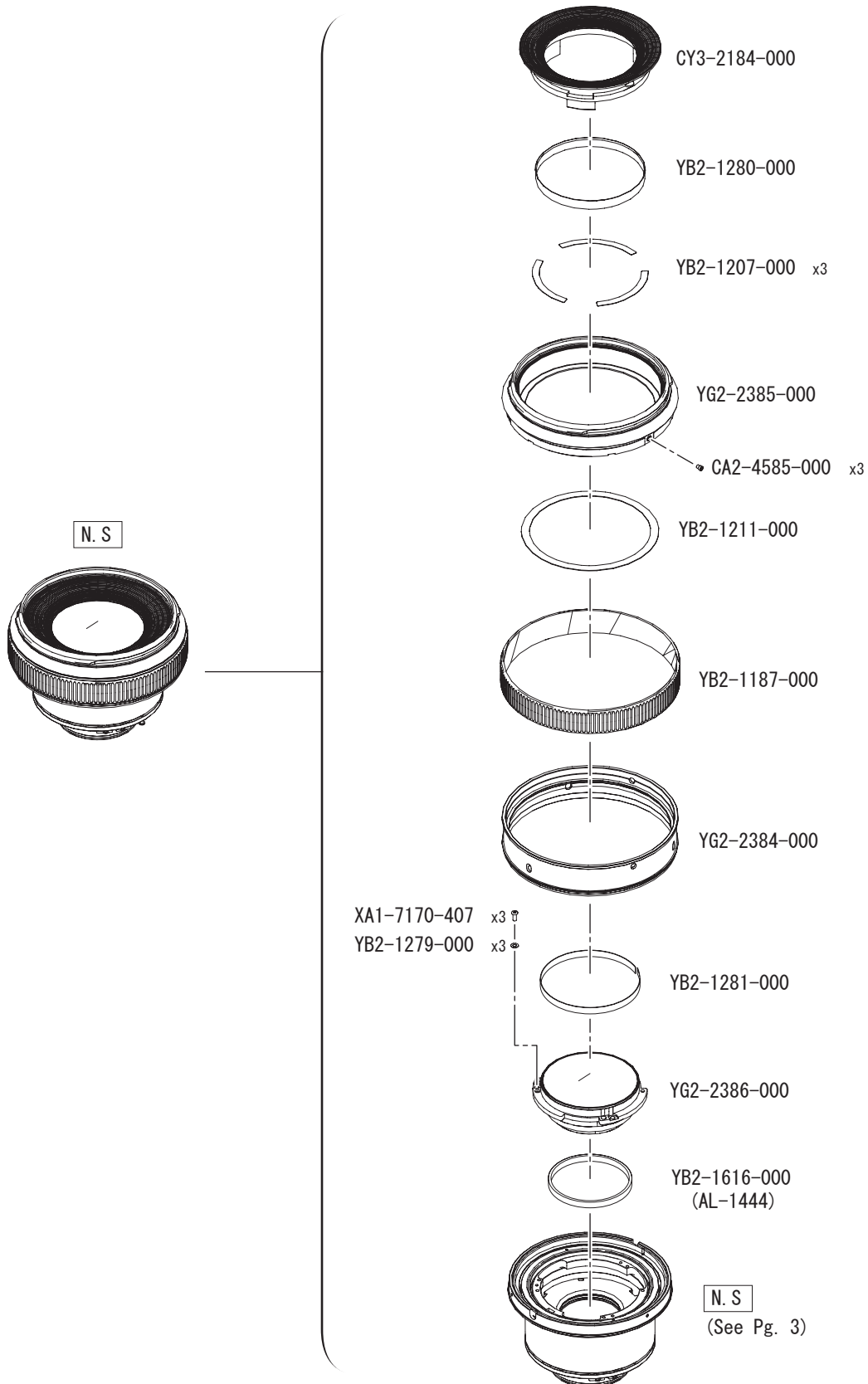
	A	SIZE
	0.02 mm	(002)
	0.05 mm	(005)

# P A R T S L I S T

REF. NO. C21-6291

NEW	PARTS NO.	CLASS	QTY	DESCRIPTION
	CA2-4586-000	E	2	SCREW
	CY1-2178-000(XXX)	E	1	WASHER, MOUNT
	CY3-2165-000	A	1	MOUNT, LENS
*	CY3-2173-000(XXX)	C	1	RING, MOUNT
*	XA1-3170-657	F	1	SCREW
	XA1-7170-407	F	6	SCREW, CROSS-RECESS, PH
	XA1-7170-609	F	5	SCREW
*	XA9-1723-000	F	4	SCREW
	YA2-3463-000	C	1	RUBBER, MOUNT
*	YB2-1175-000	C	1	COVER, BACK
*	YB2-1178-000	C	1	BARREL, FIXED
*	YB2-1189-000	C	1	SHEET, FOCUS SCALE
*	YB2-1191-000	C	1	TAPE, DOUBLE-SIDED
*	YB2-1192-000	C	1	WINDOW, DISTANCE
*	YB2-1199-000	C	1	TAPE, DOUBLE-SIDED
*	YB2-1278-000	C	1	SHEET, MAIN PCB ASS'Y
*	YG2-2294-000	B	1	FOCUS ASS'Y, USM
*	YG2-2298-000	C	1	SWITCH PANEL ASS'Y
*	YG2-2302-000	C	1	PCB ASS'Y, MAIN
*	YG2-2387-000	C	1	BARREL ASS'Y, EXTERNAL
*	CY3-2194-200	C	1	BARREL ASS'Y, EXTERNAL

CANON LENS EF 50 mm 1:1.2L USM

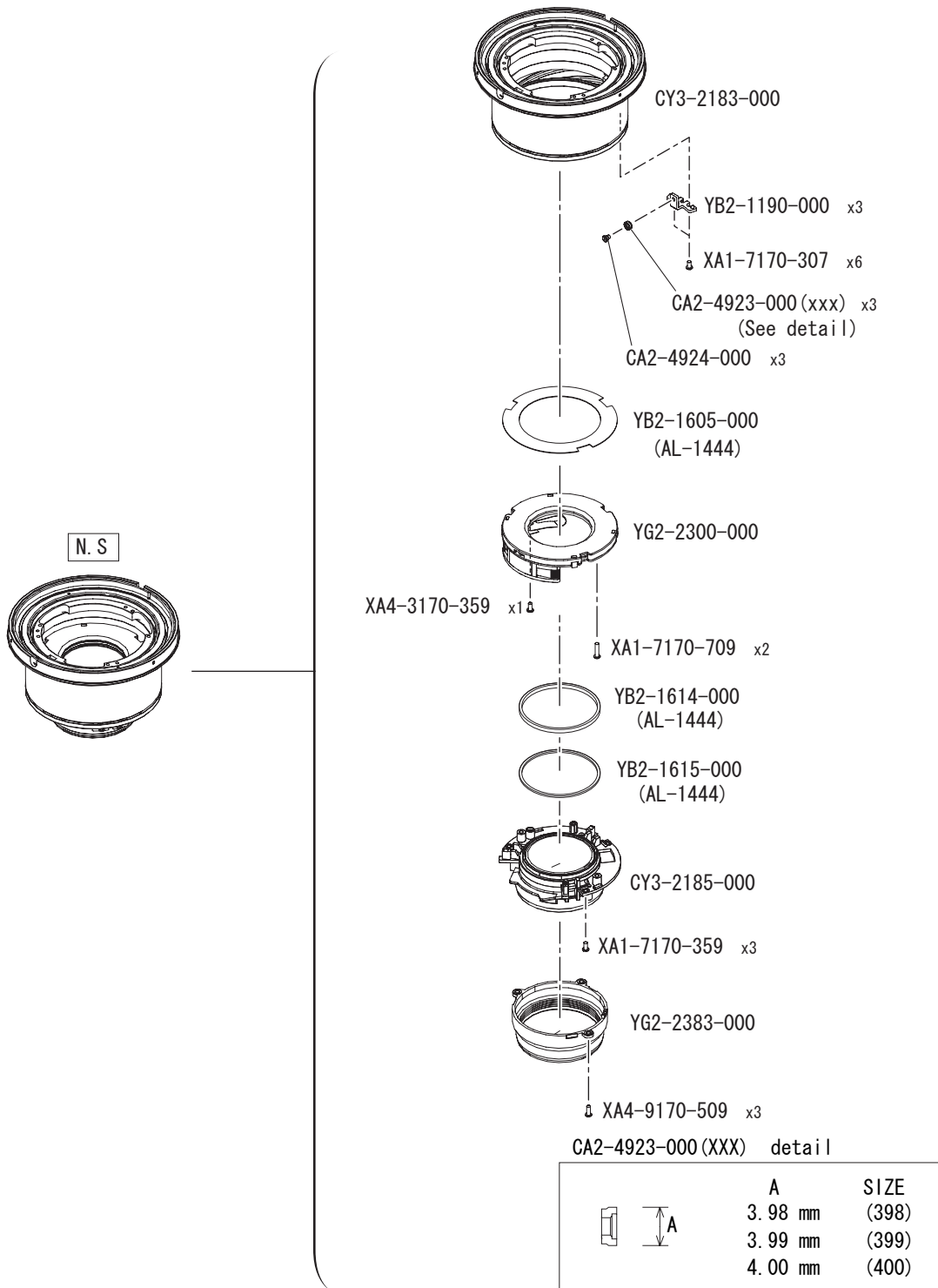


# P A R T S L I S T

REF. NO. C21-6291

NEW	PARTS NO.	CLASS	QTY	DESCRIPTION
	CA2-4585-000	E	3	SCREW, MOUNT STOPPER
*	CY3-2184-000	C	1	COVER ASS'Y, FRONT
	XA1-7170-407	F	3	SCREW, CROSS-RECESS, PH
*	YB2-1187-000	C	1	RING, MANUAL FOCUS
*	YB2-1207-000	C	3	TAPE, DOUBLE-SIDED
*	YB2-1211-000	C	1	SHEET, DUST PROTECT
*	YB2-1279-000	C	3	WASHER
*	YB2-1280-000	C	1	TAPE, DOUBLE-SIDED
*	YB2-1281-000	C	1	TAPE, DOUBLE-SIDED
*	YG2-2384-000	C	1	RING ASS'Y, MANUAL FOCUS
*	YG2-2385-000	C	1	BARREL ASS'Y, FILTER
*	YG2-2386-000	C	1	LENS ASS'Y, FRONT
*	YB2-1616-000	C	1	RING, DUST PROTECT

CANON LENS EF 50 mm 1:1.2L USM



# P A R T S L I S T

REF. NO. C21-6291

NEW	PARTS NO.	CLASS	QTY	DESCRIPTION
	CA2-4923-000(XXX)	D	3	COLLAR, BRASS
	CA2-4924-000	E	3	SCREW
*	CY3-2183-000	C	1	HELICOID ASS'Y
*	CY3-2185-000	C	1	LENS ASS'Y, MIDDLE
	XA1-7170-307	F	6	SCREW, MACH. PANHEAD, M1.7X3
	XA1-7170-359	F	3	SCREW, CROSS-RECESS, PH
	XA1-7170-709	F	2	SCREW
*	XA4-3170-359	F	1	SCREW
	XA4-9170-509	F	3	SCREW, CROSS-RECESS, PH (S)
*	YB2-1190-000	C	3	KEY, STRAIGHT GUIDE
*	YB2-1605-000	C	1	TAPE, DOUBLE-SIDED
*	YG2-2300-000	C	1	POWER DIAPHRAGM ASS'Y
*	YG2-2383-000	C	1	LENS ASS'Y, 8TH
*	YB2-1614-000	C	1	RING, DUST PROTECT
*	YB2-1615-000	C	1	RING, DUST PROTECT

CANON LENS EF 50 mm 1:1.2L USM

