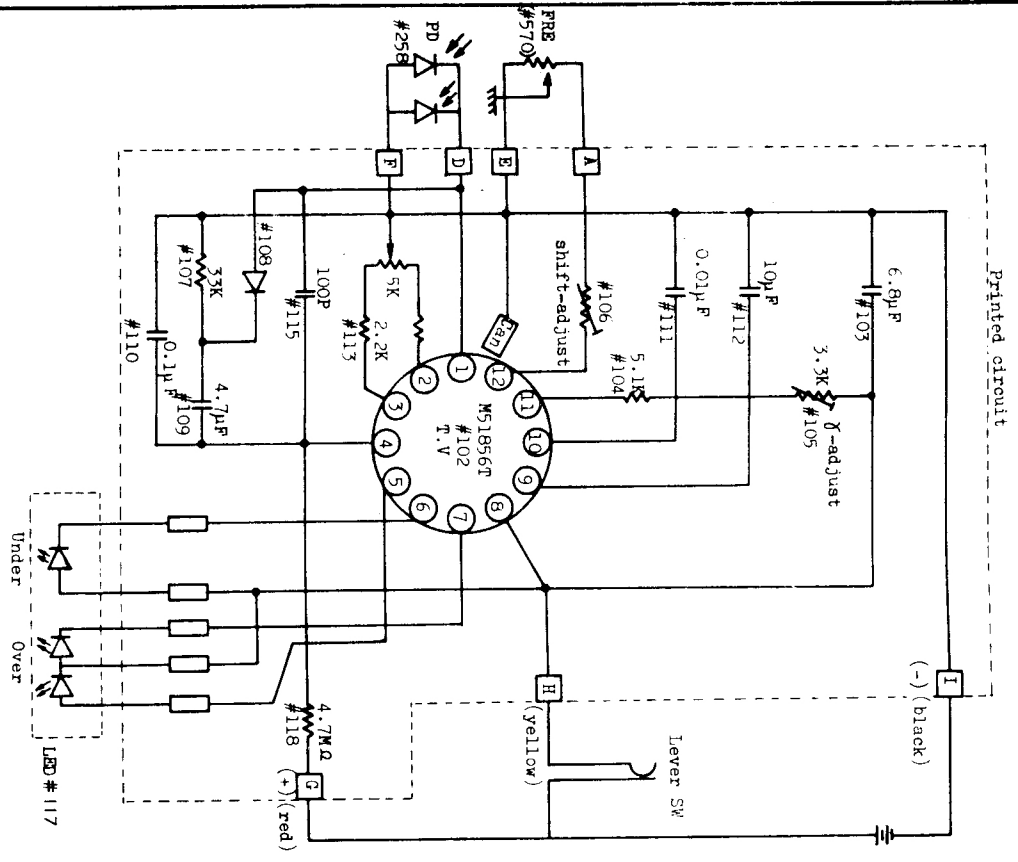
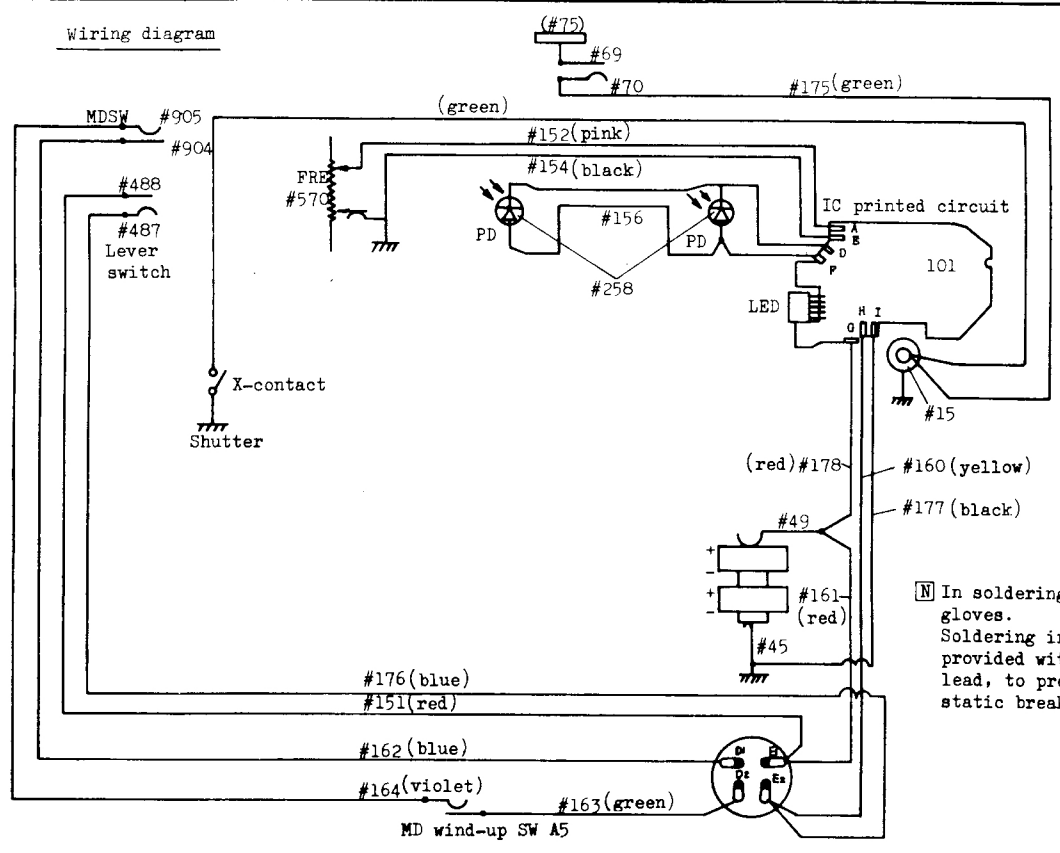


Light measuring circuit



Wiring diagram



[N] In soldering, put on cotton gloves. Soldering iron should be provided with a ground lead, to prevent electrostatic breakdown of IC.