

REPAIR MANUAL
AND
REPAIR PARTS

RICOH XR-1

SEARS KS 1000

RICOH COMPANY LTD

INDEX

| | | | |
|---|-----------|---|-----------|
| SPECIFICATIONS..... | 2 | | |
| 1. DISASSEMBLING OF MAJOR COMPONENT PARTS... | 3 | | |
| 1. Finder cover | 3 | | |
| 2. Bottom cover | 3 | | |
| 3. Shutter dial base plate | 3 | | |
| 4. Prism frame | 3 | | |
| 5. Exposure meter | 4 | | |
| 6. Fresnel lens..... | 4 | | |
| 7. Mirror box | 4 | | |
| 8. Shutter..... | 4 | | |
| 2. ASSEMBLING | 5 | | |
| 1. Mirror box..... | 5 | | |
| 2. Prism frame | 5 | | |
| 3. Shutter dial base plate | 5 | | |
| 4. CdS circuit board ass'y | 6 | | |
| 5. ASA base plate..... | 6 | | |
| 6. ASA dial | 6 | | |
| 3. GENERAL MECHANISM | 8 | | |
| 1. Quick return mechanism | 8 | | |
| 2. Multi exposure mechanism | 9 | | |
| 3. Light measuring mechanism..... | 10 | | |
| 4. ADJUSTMENT | 11 | | |
| 1. Release stroke | 11 | | |
| | | 2. Film wind up..... | 11 |
| | | 3. Sprocket reverse stop..... | 12 |
| | | 4. 45° mirror | 12 |
| | | 5. Focusing of finder..... | 14 |
| | | 6. F stop indication | 14 |
| | | 7. Meter switch ON, OFF | 15 |
| | | 8. Shutter scale needle | 15 |
| | | 9. Electric equipment | 16 |
| | | 10. Body back | 18 |
| | | 5. WIRING DIAGRAM..... | 19 |
| | | 6. ASA RANGE..... | 20 |
| | | 7. SCHEMATIC DIAGRAM | 21 |
| | | 8. SKETCH INDEX AND PARTS LIST | 22 |
| | | A. Top and front parts | 22 |
| | | B. Mirror box and viewfinder parts..... | 24 |
| | | C. Prism frame and shutter dial parts | 26 |
| | | D. Body, back cover and film transport parts..... | 28 |
| | | E. Shutter and bottom parts | 30 |
| | | F. Mirror box parts | 32 |
| | | 9. PARTS INDEX | 34 |

SPECIFICATIONS

| | | | |
|---------------------------|--|------------------------------------|--|
| CAMERA TYPE | Ricoh XR-I 35 mm SLR with metal focal plane shutter. | EXPOSURE COUPLING RANGE | EV3 ~ 18 (ASA 100 film with 50 mm f/1.4 lens) |
| FILM FORMAT | 24 × 36 mm | FILM SPEED RANGE | ASA 12 ~ 3200 (DIN 12 ~ 36) |
| STANDARD LENSES | 50 mm XR Rikenon f/1.4 (Multi-coated), 6 groups 7 elements 50 mm XR Rikenon f/1.7 (Multi-coated), 5 groups 6 elements 50 mm XR Rikenon f/2.0, 5 groups 6 elements Filter size: 52 mm screw-in type | EXPOSURE METER POWER SUPPLY | Two 1.5V silver-oxide batteries (JIS G13, Mallory MS76, Eveready S76 or equivalent). |
| LENS MOUNT SHUTTER | "K" type bayonet with 65° rotating angle. Vertically moving Copal FC-523 metal focal plane shutter with speeds from 1 to 1/1000 sec. plus B. | FLASH SYNCHRONIZATION | X Synchronization for electronic flash unit at "B" and 1 sec. to 1/125 sec. |
| VIEWFINDER | Fixed eye-level pentaprism. F-stop, Shutter speeds, "B" (Bulb), Exposure meter needle (also acts as battery checker), Shutter speed indicator and battery check mark visible. Viewing magnification 0.88X. Field of view covers 93% of actual picture area. | FLASH TERMINAL | "X" flash terminal. "X" contact (with electronic shock prevention mechanism) on hot shoe for cordless electronic flash unit. |
| FOCUSING | Diagonal Split-image spot in microprism band surrounded by Fresnel field. | FILM LOADING | Multi-slit easy loading. |
| EXPOSURE METER | Three CdS photocells TTL full open metering for average light reading coupled to shutter speeds, film speeds and f-stops. | FILM WIND | Single stroke film advance lever with 135° winding angle (40° play). |
| | | FILM SIZE AND CAPACITY | 35 mm perforated film in 12, 20, 24 or 36 exposures. |
| | | FILM REWIND | Film rewind crank by pressing film rewind button on base of camera. |
| | | EXPOSURE COUNTER | Additive, automatic resetting. |
| | | DIMENSIONS | 139.9 (width) × 91.3 (height) × 48.6 (depth) mm (Body only) |
| | | WEIGHT | 550g (Body only) |

Following tool sets are recommended for dis-reassembling.

- 1) For the ME-BUTTON HOLDER (sketch No. 13 on page 22).
- 2) For the FILM WIND UP LEVER NUT (sketch No. 2 on page 22).
- 3) For the FINDER COVER NUT (sketch No. 6 on page 22).
- 4) For the SHUTTER SPEED DIAL SCREW (sketch No. 7 on page 22).
- 5) For the ASA PLATE NUT (sketch No. 23 on page 22).
- 6) For the ASA BUTTON NUT (sketch No. 20 on page 22).
- 7) For the SYNCHRO SOCKET (sketch No. 26 on page 22).

1. DISASSEMBLING OF MAJOR COMPONENT PARTS

1. Finder cover (see the sketch No. 15 on page 22)

- 1) Remove the FILM WIND UP LEVER SCREW (sketch No. 1).
- 2) When the FILM WIND UP LEVER NUT (sketch No. 2) is removed, sketches No. 3 ~ 5 are automatically removed.

NOTE:

The FILM WIND UP LEVER NUT is loosened when turned counter-clockwise. (reversing screw)

- 3) Remove the FINDER COVER NUT (sketch No. 6).
- 4) When the SHUTTER SPEED DIAL SCREW (sketch No. 7) is removed, the SHUTTER SPEED PLATE (sketch No. 8) and the SHUTTER SPEED DIAL (sketch No. 9) automatically come off.
- 5) Take off the SCREW (sketch No. 10) and the RELEASE HOLDER (sketch No. 11).
- 6) Remove the ME BUTTON HOLDER (sketch No. 13).

- 7) Remove the SYNCHRO SOCKET (sketch No. 26).
- 8) Remove the ASA BUTTON NUT (sketch No. 20).
- 9) Remove the REWINDING DISK NUT (sketch No. 21) and the REWINDING DISK (sketch No. 22).
- 10) Remove the ASA PLATE NUT (sketch No. 23), then the ASA PLATE (sketch No. 24) and the ASA DIAL (sketch No. 25) will come off.
- 11) Take off two SCREWS (sketch No. 27).

2. Bottom cover (see the sketch No. 28 on page 30).

- 1) Take off five SCREWS (sketch No. 29).

3. Shutter dial base plate (see the sketch No. 26 on page 26)

- 1) Take off three SCREWS (sketch No. 1).

NOTE:

Take care not to lose the FILM WIND UP LEVER CAM (sketch No. 37) and the RELEASE LOCK CAM (sketch No. 38).

4. Prism frame (see the sketch No. 12 on page 26)

- 1) Detach two soldered portions of the LEAD WIRE (green) for the X contact.
- 2) Detach the soldered portion of the LEAD WIRE (black) for grounding the main body.
- 3) Detach the soldered portion of the LEAD WIRE (orange) coming from the battery case.
- 4) Detach the soldered portion of the LEAD WIRES (black, red) coming from the meter.

- 5) Detach the soldered portions of the LEAD WIRES (blue, pink) coming from the resistor plate.
 - 6) Take off four SCREWS (sketch No. 49 and 50 on page 24) as well as the EYEPIECE FRAME (sketch No. 48) on page 24.
 - 7) Take off three SCREWS (sketch No. 1) as well as ASA BASE PLATE ASS'Y (sketch No. 2) and ASA CONTACT ASS'Y (sketch No. 3).
 - 8) Take off the SCREW (sketch No. 5)
 - 9) Detach the soldered portion of ASA RESISTOR PLATE ASS'Y (sketch No. 6).
 - 10) Take off two SCREWS (sketch No. 3 on page 24).
 - 11) Detach the soldered portions of the POWER CONTACT (sketch No. 17) and the CHECKER CONTACT (sketch No. 18).
 - 12) Carefully remove the SPRING HOOK ASS'Y (sketch No. 19).
 - 13) Carefully remove the PRISM COVER (sketch No. 4 on page 24) and the CdS CIRCUIT BOARD ASS'Y (sketch No. 46 on page 24), which form a solid unit.
 - 14) Remove the PRISM (sketch No. 7 on page 24).
 - 15) Take off the SCREW (sketch No. 4).
 - 16) Take off two SCREWS (sketch No. 10) and carefully remove the PRISM FRAME (sketch No. 12).
- 5. Exposure meter (see the sketch No. 15 on page 26)**
- 1) Remove the PRISM FRAME (Regarding the sequence, see ITEM 4 on page 3).
 - 2) Take off two SCREWS (sketch No. 10).

6. Fresnel lens (see the sketch No. 14 on page 24)

- 1) Remove the PRISM FRAME (Regarding the sequence, see ITEM 4 on page 3).
- 2) Take off two SCREWS (sketch No. 9).

NOTE:

Take care not to lose the SPRINGS A, B (sketch No. 10, 11).

- 3) Carefully remove the CONDENSER LENS (sketch No. 12).
- 4) Carefully remove the FRESNEL LENS.

7. Mirror box (see the sketch No. 1 on page 32)

- 1) Disassemble the FINDER COVER (Regarding the sequence, see ITEM 1 on page 3).
- 2) Disassemble the BOTTOM COVER (Regarding the sequence, see ITEM 2 on page 3).
- 3) Disassemble the SHUTTER DIAL BASE PLATE (Regarding the sequence, see ITEM 3 on page 3).
- 4) Disassemble the PRISM FRAME (Regarding the sequence, see ITEM 4 on page 3).
- 5) Peel off the LEATHERS (sketch No. 6, 18 on page 30) on both sides of the front.
- 6) Take off four SCREWS (sketch No. 21 on page 24), the SCREW (sketch No. 22) and another SCREW (sketch No. 30 on page 30).

8. Shutter (see the sketch No. 1 on page 30)

- 1) Disassemble the MIRROR BOX (Regarding the sequence, see ITEM 7 above).

2. ASSEMBLING

1. Mirror box (sketch No. 1 on page 32)

- 1) Set the SELF-TIMER to its regular position.
- 2) Carefully set the mirror box in the main body.
- 3) Set it so that the RELEASE LEVER becomes as indicated by a circle in Fig. 13.
- 4) After ascertaining that the mirror box has been completely mounted, fasten it to the main body with five SCREWS (sketch No. 21 and 22 on page 24).
- 5) Wind the FILM WIND UP LEVER, and confirm that the shutter works properly.
- 6) Set the SELF-TIMER LEVER, and confirm that it works surely and that the shutter releases.

2. Prism frame (sketch No. 12 on page 26)

- 1) Set the shutter speed dial to BULB. (Fig. 1 indicates bulb position.)
- 2) Assemble the PRISM FRAME (sketch No. 12) on the main body.

How to assemble

- 1) Set the INDICATOR CAM to position B as shown in Fig. 2. (Figure 2 indicates the BULB position.)
- 2) Interlock the EXPOSURE METER, SPEED CONNECTION LEVER and the SPEED INDICATOR CAM, as in the case of parts A and B in Fig. 5 and engage the gears of the SPEED INDICATOR CAM and the SHUTTER (Fig. 1).

NOTE:

- 1) In case the shutter GEAR (Fig. 1) and the SPEED INDICATOR CAM (Fig. 5) are not engaged correctly, slightly raise the SPEED INDICATOR CAM and re-engaged them.
- 2) After re-engagement, confirm that the position of the SPEED CONNECTION LEVER is at the position A, B as shown in Fig. 5.
- 3) Carefully check the positions of all lead wires.

How to ascertain

Hold down the PRISM FRAME, turn the SHUTTER DIAL (B in Fig. 2), while peering through the finder, and check that the SHUTTER SCALE NEEDLE (green) works properly.

- 3) If it functions correctly, tighten SCREWS (sketch No. 10).
- 4) After winding, check that the shutter speed shifts to bulb position when it is released.

3. Shutter dial base plate (sketch No. 26 on page 26)

- 1) Check that the spring of the POWER CONTACT ASS'Y (sketch No. 39) is hooking the SPRING HOOK ASS'Y (sketch No. 19).
- 2) Set the shutter dial to the bulb position. (Fig. 3 shows the bulb position (rear side).)
- 3) Joint part A (Fig. 3) of the shutter dial with part B of the SPEED INDICATOR CAM. (Fig. 2)

NOTE:

- 1) In case the difference of the shutter dial bulb position and that of the SPEED INDICATOR CAM bulb is one pitch or more, follow the instructions of NOTE (2) (1) (page 5), and re-engage them.
 - 2) In case there is a slight difference in the position of the shutter dial bulb and that of the speed indicator cam bulb, adjust by loosening the screw of A in Fig. 1, turn the eccentric screw of B.
(Do not forget to tighten screw A after this adjustment.)
 - 3) Fig. 4 shows the engagement between the shutter GEAR and the SPEED INDICATOR CAM.
 - 4) When the shutter is released after winding, check that the shutter shifts to bulb position.
 - 5) After confirmation, tighten SCREW (sketch No. 1 on page 26).
- 4. CdS circuit board ass'y (sketch No. 46 on page 24)**
- 1) Set the PRISM (sketch No. 7).
 - 2) Mount the CdS circuit board ass'y which is solid with the PRISM COVER (sketch No. 4).
 - 3) After confirming the wiring positions of all lead wires, tighten two SCREWS (sketch No. 3).
 - 4) Solder all lead wires.
 - 5) Tighten SCREWS (sketch No. 5 on page 26)

5. ASA base plate (sketch No. 2 on page 26) (see Fig. 6)

- 1) Mount the ASA CONTACT ASS'Y (sketch No. 3) on the ASA RESISTOR PLATE ASS'Y (sketch No. 6).
- 2) Attach the ASA BASE PLATE (sketch No. 2). When attaching, joint the part indicated by arrow A of the ASA BASE PLATE with that indicated by arrow B of the ASA CONTACT ASS'Y (sketch No. 3) and attach the ASA BASE PLATE.
- 3) Tighten three SCREWS (sketch No. 1), while paying attention to the wiring of all lead wires.

6. ASA dial (sketch No. 25 on page 22) (see Fig. 6)

- 1) Attach the FINDER COVER.
- 2) Superpose the hole of the BASE PLATE A upon the third hole of the ASA BASE PLATE (sketch No. 2 on page 26), either on the left or right side.
Then insert PIN C of the ASA DIAL into the holes of the BASE PLATES A and B (Fig. 6).

NOTE:

When the attached position is not correct, meter sensitivity will be adversely affected.

- 3) Join the arrow indication of the ASA DIAL (sketch No. 25 on page 22) with that of the ASA PLATE (sketch No. 24) indications.
- 4) After attaching the ASA PLATE NUT (sketch No. 23), check the working of the ASA DIAL and the positions of the scale of ASA12-3200.

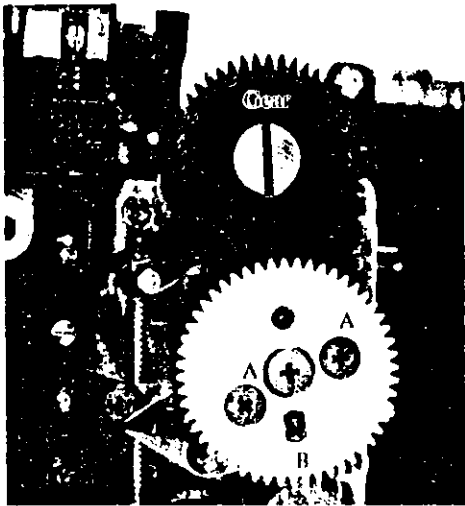


Fig. 1

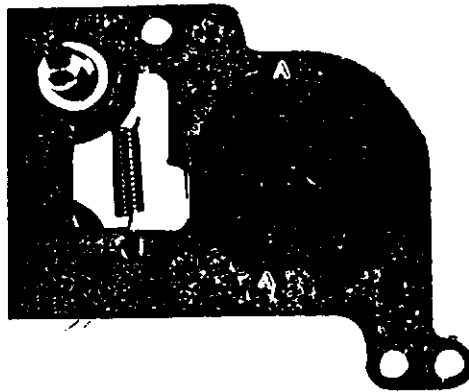


Fig. 3

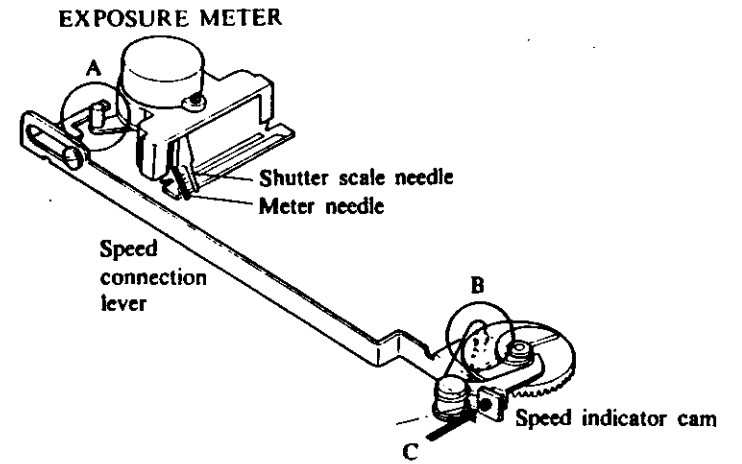


Fig. 5

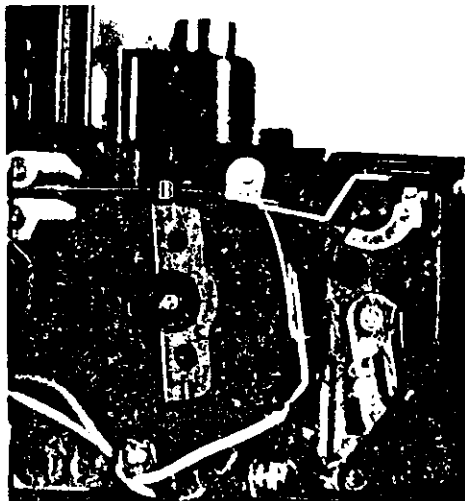


Fig. 2

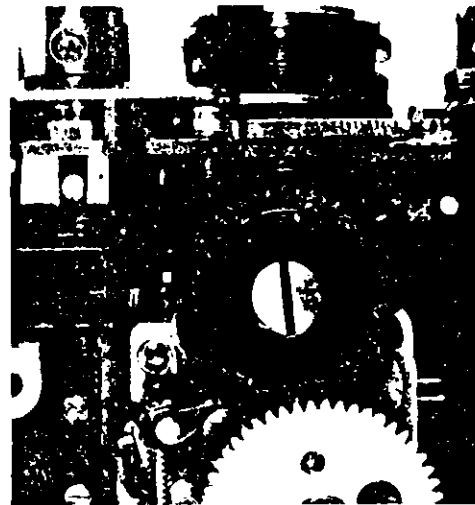


Fig. 4

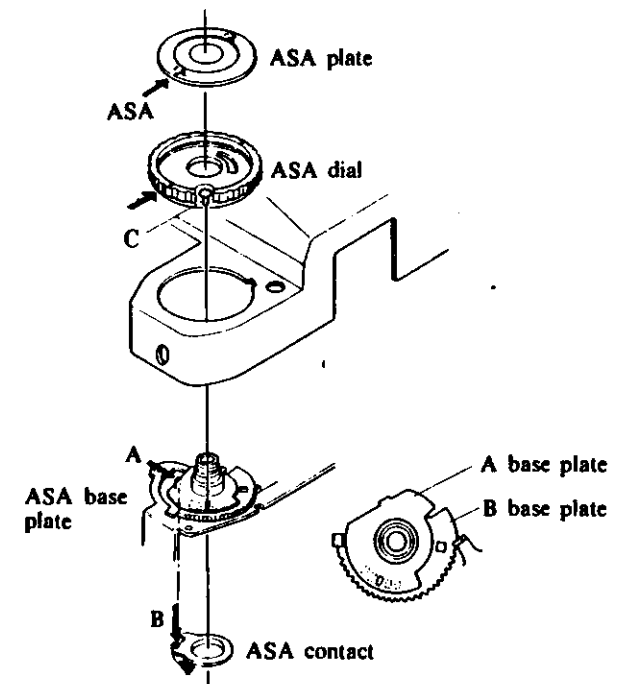


Fig. 6

3. GENERAL MECHANISM

1. Quick return mechanism (see Fig. 7, 8 and 9)

1) When the wind up lever is wound, the shutter is set.

At the same time, No. 1 moves in the arrow direction and catches No. 6.

Then, No. 2 is set in No. 4 while No. 3 is set in No. 5. (Fig. 7)

2) When the release button is depressed, No. 7 acts, pushing No. 5.

Next, No. 3 slips off No. 5 and kicks No. 4 and the mirror rises.

No. 2 slips off No. 4 and No. 2 actuates Nos. 8, 9, 10, 11 and 12, and No. 11 releases the shutter. (Fig. 8)

3) The rear blade lever of the shutter kicks No. 13 when the vanes are closed.

No. 14 interlocked with No. 13 actuates No. 6 which then releases No. 1.

No. 2 and No. 3 operate simultaneously. No. 2 releases Nos. 8, 9, 10, 11 and 12, and the mirror returns to its original position.

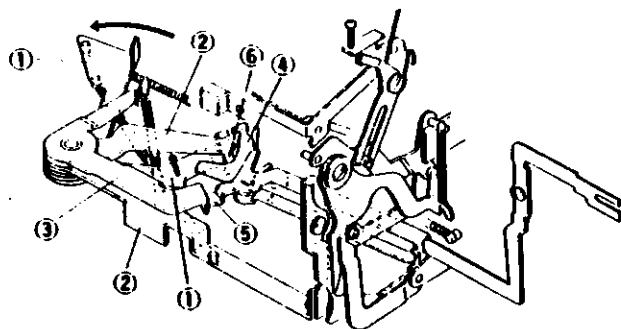


Fig. 7

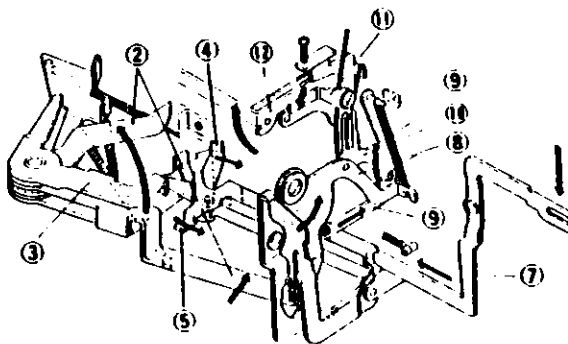


Fig. 8

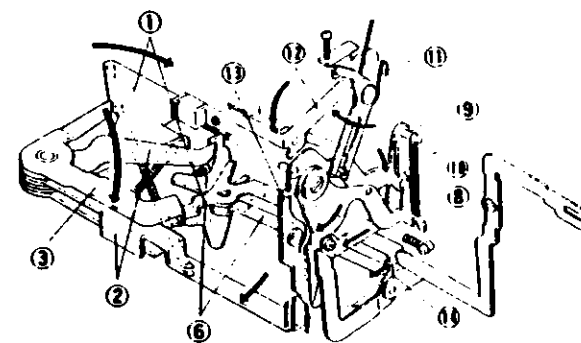


Fig. 9

2. Multi exposure mechanism (Fig. 10 and 11)

- 1) Fig. 10 shows the condition when ME button has not been depressed.

When the film wind up lever is wound under such condition, the winding clutch lever catches the part of gear A (5) marked with an arrow, and turns the gear.

At the same time, the sprocket interlocked with the gear turns and advances the film.

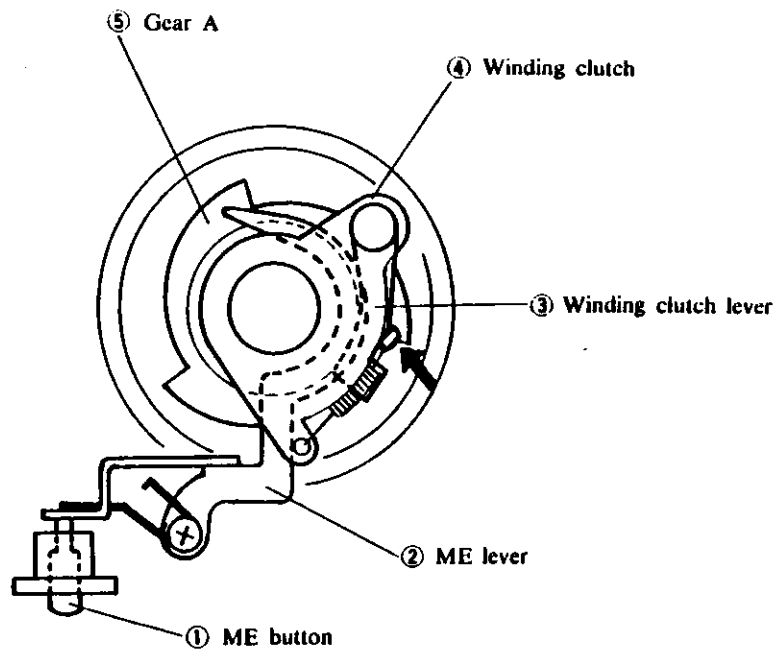


Fig. 10

- 2) Fig. 11 indicates the condition in which the ME button has been depressed. (Multi exposure)

When ME button (1) is pressed, ME lever (2) moves in the arrow direction, and pushes winding clutch lever (3).

When the film wind up lever is wound under this condition, as the winding clutch lever (3) does not catch gear A (5), only winding clutch (4) operates, while gear A (5) does not.

The sprocket, therefore, does not rotate, the film is not advanced and multiple exposure is realized.

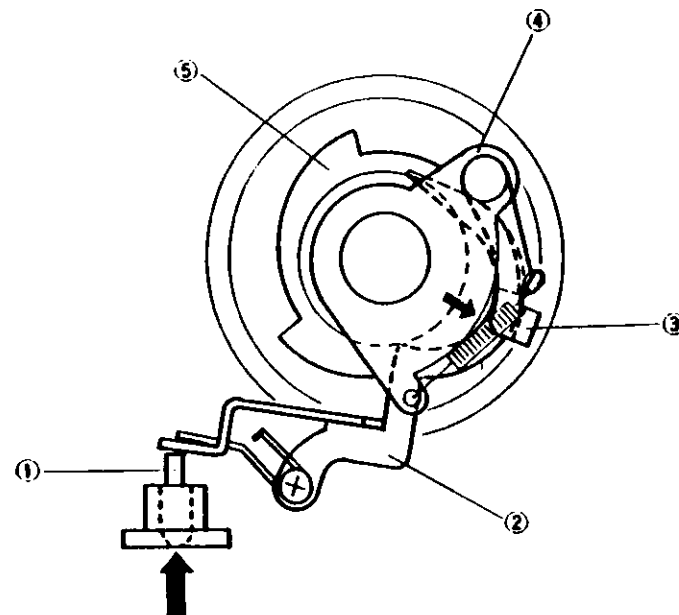


Fig. 11

3. Light measuring mechanism (Fig. 12)

The camera has a built-in TTL system interlocking exposure meter with three CdS cells installed on both sides and on top of the eye lens.

The applicable film sensitivity is ASA 12 ~ 3200, the interlocking function range of the exposure meter is EV3 ~ 18 (ASA 100) and the power source is a silver-oxide battery which is contained in the battery box on the bottom of the body.

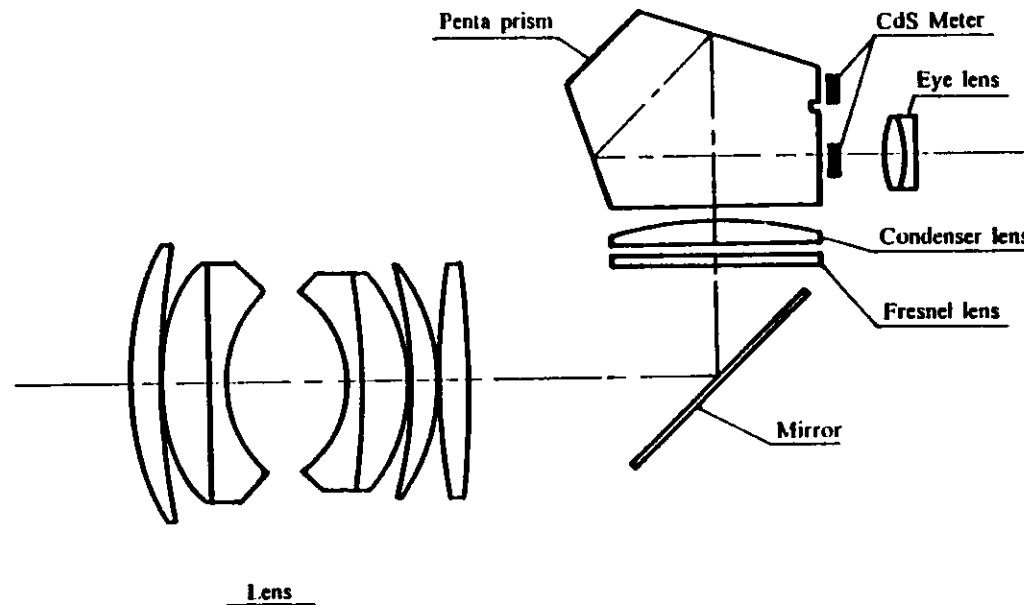


Fig. 12

4. ADJUSTMENT

1. Release stroke

When exchanging the mirror box or when it is necessary to adjust the release stroke, proceed as follows:

- 1) Adjust by changing the width of the release lever of Fig. 13.
- 2) The scope of adjustment of the release stroke is indicated in Fig. 14.

2. Film wind up (see Fig. 15)

When changing the film wind up shaft ass'y or related parts, check and make necessary adjustments.

How to adjust:

Fully wind the film wind up lever, and adjust with SCREW A so that there is a clearance of 0.05 ~ 0.15 mm after the Nail LEVER (sketch No. 35 on page 30) slips off from the WIND UP SHAFT ASS'Y (sketch No. 46 on page 30). (In fully wound condition.)

NOTE:

- 1) If it is not adjusted to the prescribed clearance after the NAIL LEVER (sketch No. 35) slips off, the film wind up lever may occasionally fail to return.
- 2) When the clearance exceeds the prescribed limit after the NAIL LEVER slips off, the interval between the photographic frames on the film will become uneven.

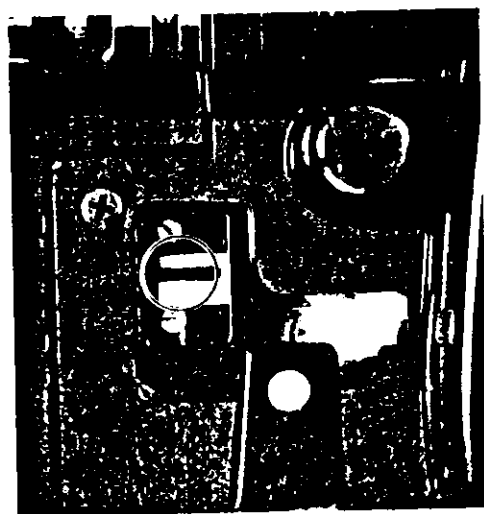


Fig. 13

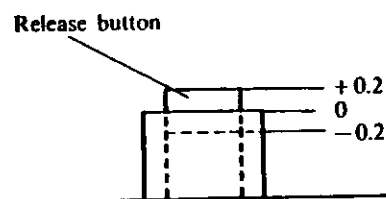


Fig. 14

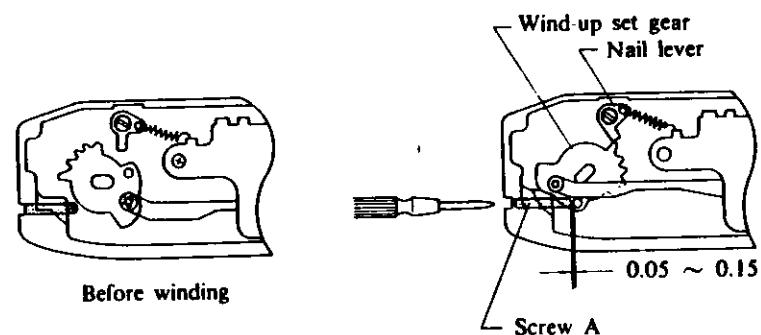


Fig. 15

3. Sprocket reverse stop (see Fig. 16)

In case the relative position between the film perforation and sprocket teeth becomes uneven, or when related parts have been exchanged, check and make necessary adjustments.

How to adjust:

When the film wind up lever is wound and set, turn the **ECCENTRIC SHAFT** so that the **STOPPER** of the lever A enters the bottom of the **GEAR B. C.**, regardless of the minimum and maximum windings.

After finishing adjustment, tighten the **SCREW**.

4. 45° mirror

When changing the mirror or mirror box, check and make necessary adjustments.

- 1) For a 45° mirror adjustment, use a collimeter, and set the camera as shown in Fig. 17.
- 2) Adjust the chart in the center of the collimeter frame.
- 3) Adjust the 45° angle of the mirror with **SCREWS A** as shown in Fig. 18.

NOTE:

- 1) Absolutely refrain from turning the **SCREWS A** of Fig. 18, unless the mirror or the mirror box has been exchanged.
- 2) In case the mirror angle is not precisely 45°, a discrepancy between the image viewed through the finder and the image projected upon the film will occur.
- 3) Finder will become out of focus.
- 4) The screw for adjusting the mirror at 45° is not that for adjusting the finder focus, so take this fully in mind.

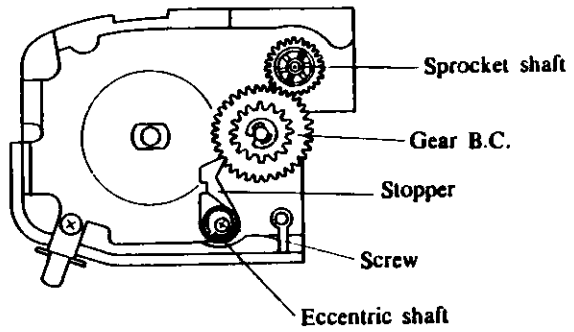
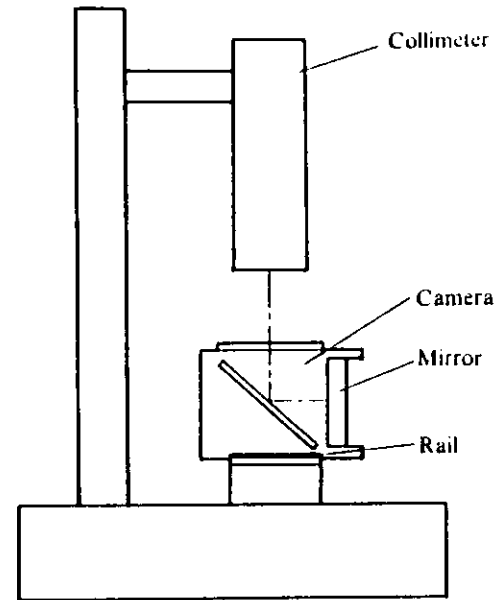
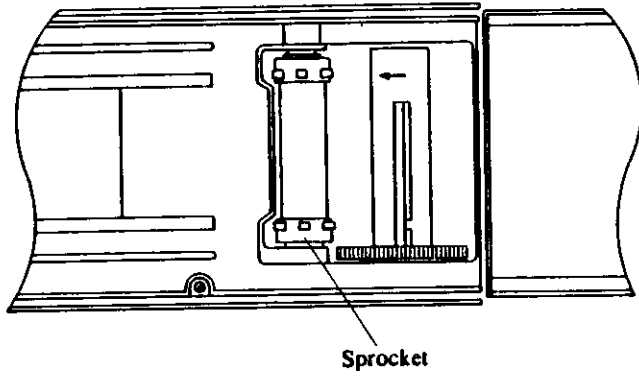


Fig. 17

Fig. 16

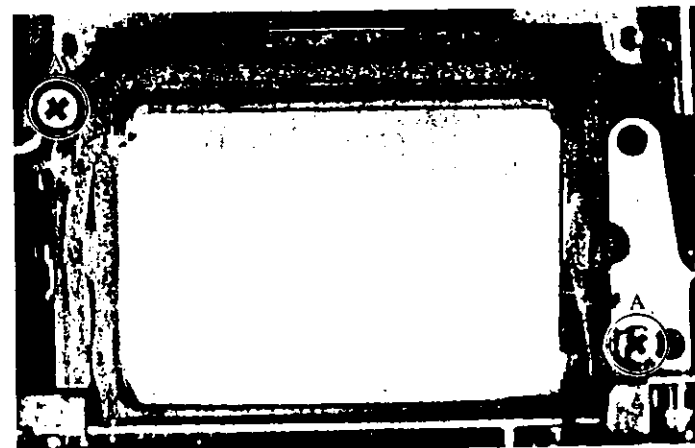


Fig. 18

5. Focusing of finder

When finder is out of focus.

Remove the **BOTTOM COVER** and adjust with **SCREW** shown by an arrow in Fig. 19.

How to adjust.

- 1) When finder focus is too long, turn clockwise. (Tightening direction)
- 2) When finder focus is too short, turn counter-clockwise. (Loosening direction)

Sequence of checking when finder is out of focus.

- 1) Check whether the lens unit correctly focuses or not.
- 2) Check whether the body back is set within the prescribed limits or not.
- 3) After checking the above problems, adjust the focus of the finder.

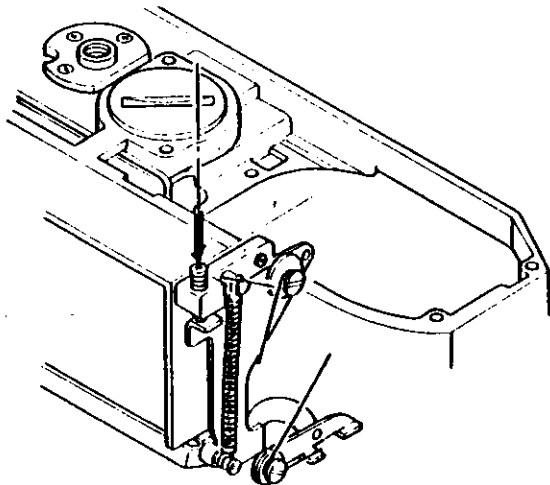


Fig. 19

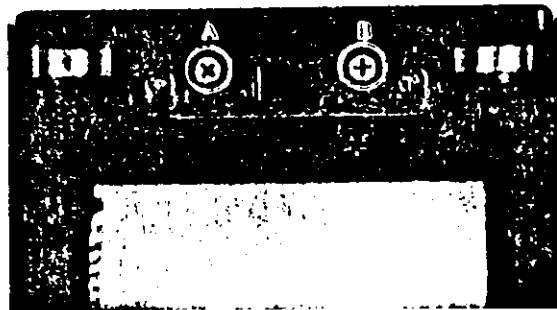


Fig. 20

6. F stop indication (see Fig. 20)

Adjust F stop indication, when the F stop indication window inside the finder is out of place (outside the prescribed limit).

How to adjust.

- 1) Install the lens. (Any standard lens will do.)
- 2) Set the F stop of the lens to 5,6.
- 3) Look through the finder, and turn F stop indication adjusting **SCREW** in Fig. 20 so that the F stop (5, 6) appearing in the F stop indication window of Fig. 21 comes to the center.
 - a) When the figure slants up on its right side, tighten the right adjusting **SCREW B**.
When the figure slants up on its left side, tighten the left adjusting **SCREW A**.
 - b) When the figure slants down on its right side, loosen right adjusting **SCREW B**.
When it slants down on its left side, loosen left adjusting **SCREW A**.

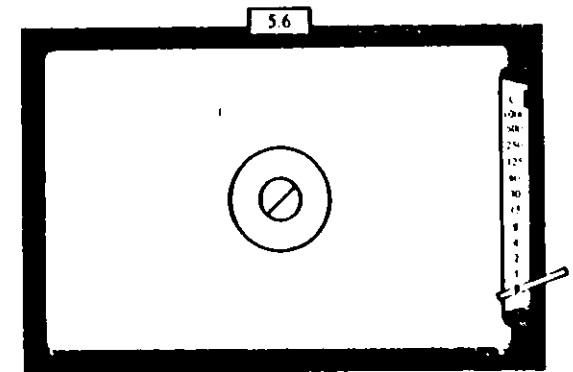


Fig. 21

7. Meter switch ON, OFF

- 1) When the film wind up lever is set to locking position, power is turned to OFF. (Fig. 22)

When power is OFF, the CONTACT PIECE A must be between the CONTACT PIECE B and the CONTACT PIECE C.

If the CONTACT PIECE A touches some part, bend and insulate it.

- 2) When power is ON, the CONTACT PIECE A touches the CONTACT PIECE B.

When there is no contact, bend the CONTACT PIECE A and adjust properly. (Fig. 23)

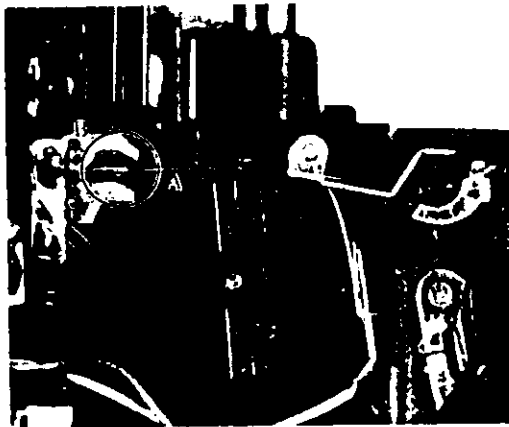


Fig. 22

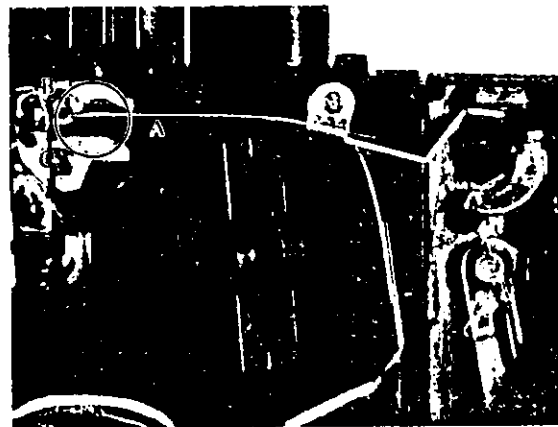


Fig. 23

8. Shutter scale needle

When exchanging the meter or disassembling the prism frame, mirror box and shutter, check and make necessary adjustment. (Fig. 5 and 24)

How to adjust:

Turn the shutter dial and adjust with SCREW C as shown in Fig. 5 so that the shutter scale needle (green) inside the finder correctly points to the shutter speed figure.

Example: When shutter dial is set at 1/30

- 1) When the shutter scale needle (green) fails to reach 1/30, turn the SCREW C clockwise. (Tightening direction)
- 2) When the shutter scale needle (green) exceeds 1/30, turn the SCREW C counterclockwise. (Loosening direction)

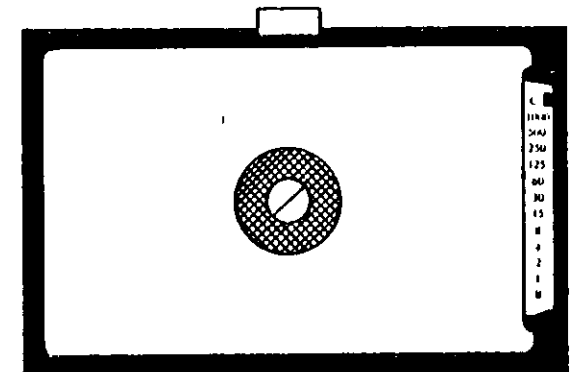


Fig. 24

9. Electric equipment

When changing electric parts and when adjustment is necessary, do as follows.

1) Adjustment of CdS (use the Digital Multi Meter) (Fig. 25)

When adjusting CdS, use the light sources of LV9 and LV15.

- 1) Adjust to $27.30\text{ k}\Omega \pm 0.7$ at VR4 with LV9.
- 2) Adjust to $15.58\text{ k}\Omega \pm 0.06$ at VR3 with LV15.

NOTE:

- 1) When not changing electric parts, absolutely refrain from touching or moving VR3 and VR4 for adjusting CdS.
- 2) When adjusting the CdS, detach the soldered portion at the arrow indicated in Fig. 25, and adjust the part indicated by arrow A and B with a digital multi meter.

2) EV adjustment (Fig. 26)

ASA 100, F1.4 diaphragm open: Set at LV9.

How to adjust

- 1) Mount lens to the main body (Set F stop at 1.4 open).
- 2) Set ASA to 100.
- 3) Any shutter speed will do.
- 4) Set camera to LV9.
- 5) Look through the finder and adjust with VR2 so that meter needles comes to 1/250 (-1/3).

NOTE:

- 1) Effect EV adjustment, after adjusting CdS.
- 2) Effect EV adjustment, after adjusting the shutter scale needle.
- 3) Since the light of this camera is measured in open aperture state, use a F1.4 lens.

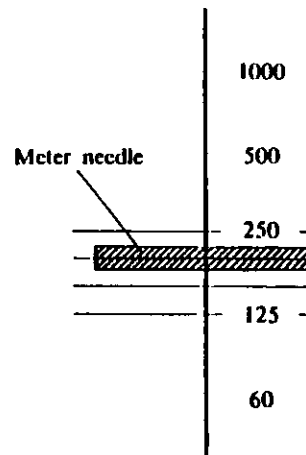


Fig. 26

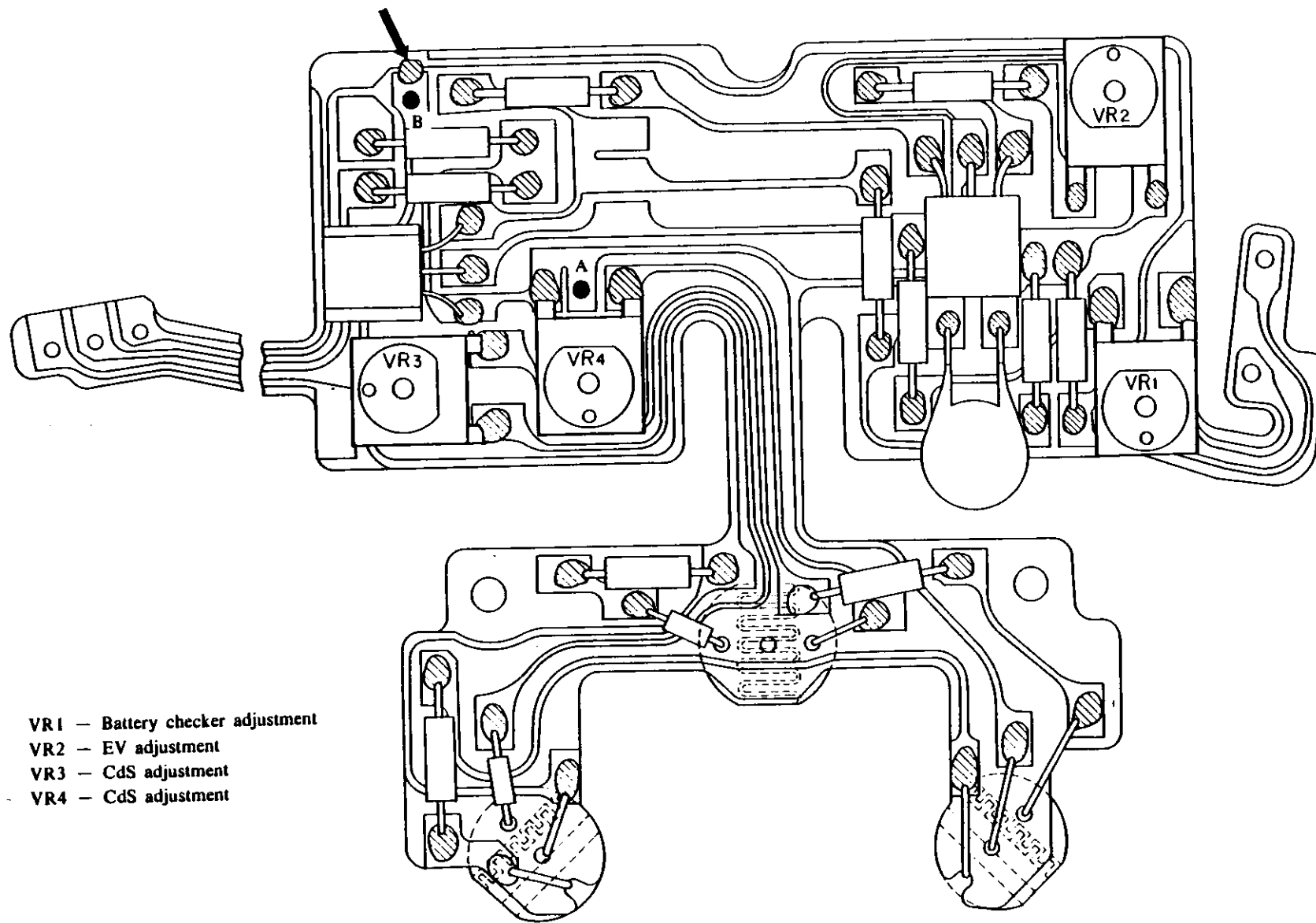


Fig. 25

3) Checker adjustment (Fig. 25)

- a) Checker is adjusted at VR1.
- b) Adjust checker with VR1, turning the release holder clockwise, so that the meter needle enters the battery checker of Fig. 27.

NOTE:

- 1) The point where the upper tip of the meter needle and the lower tip of the battery checker mark touch is 3.03V.
- 2) The indication of the battery used is $1.5V \times 2 = 3.0V$, but as the actual capacity is 3.1V, checker adjustment is 3.03V and must be adjusted at the position as shown in Fig. 27.
- 3) When using a new battery, the meter needle stays within the scope of the arrow.
- 4) The checker may be adjusted regardless of CdS and EV adjustments.

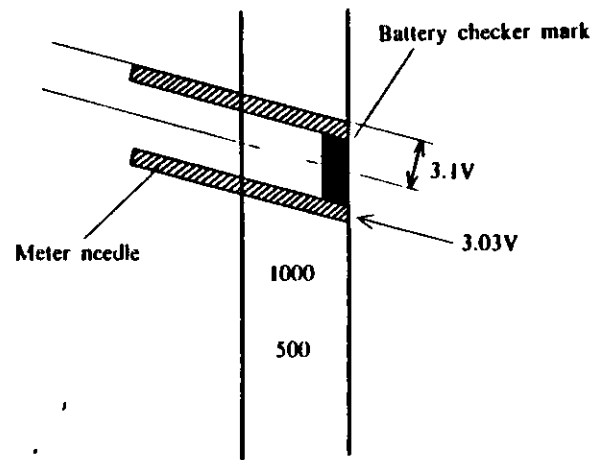


Fig. 27

10. Body back (Fig. 28)

For maintaining the interchangeability of focus, it is necessary to control the length from the mounting plate to the film surface and the parallel position between them. Length from the lens fixing mount surface to the pressure plate surface (body back) is $45.65 \text{ mm} \pm 0.02$.

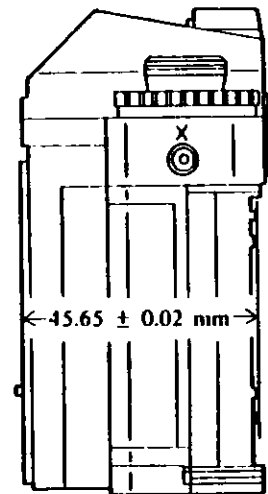
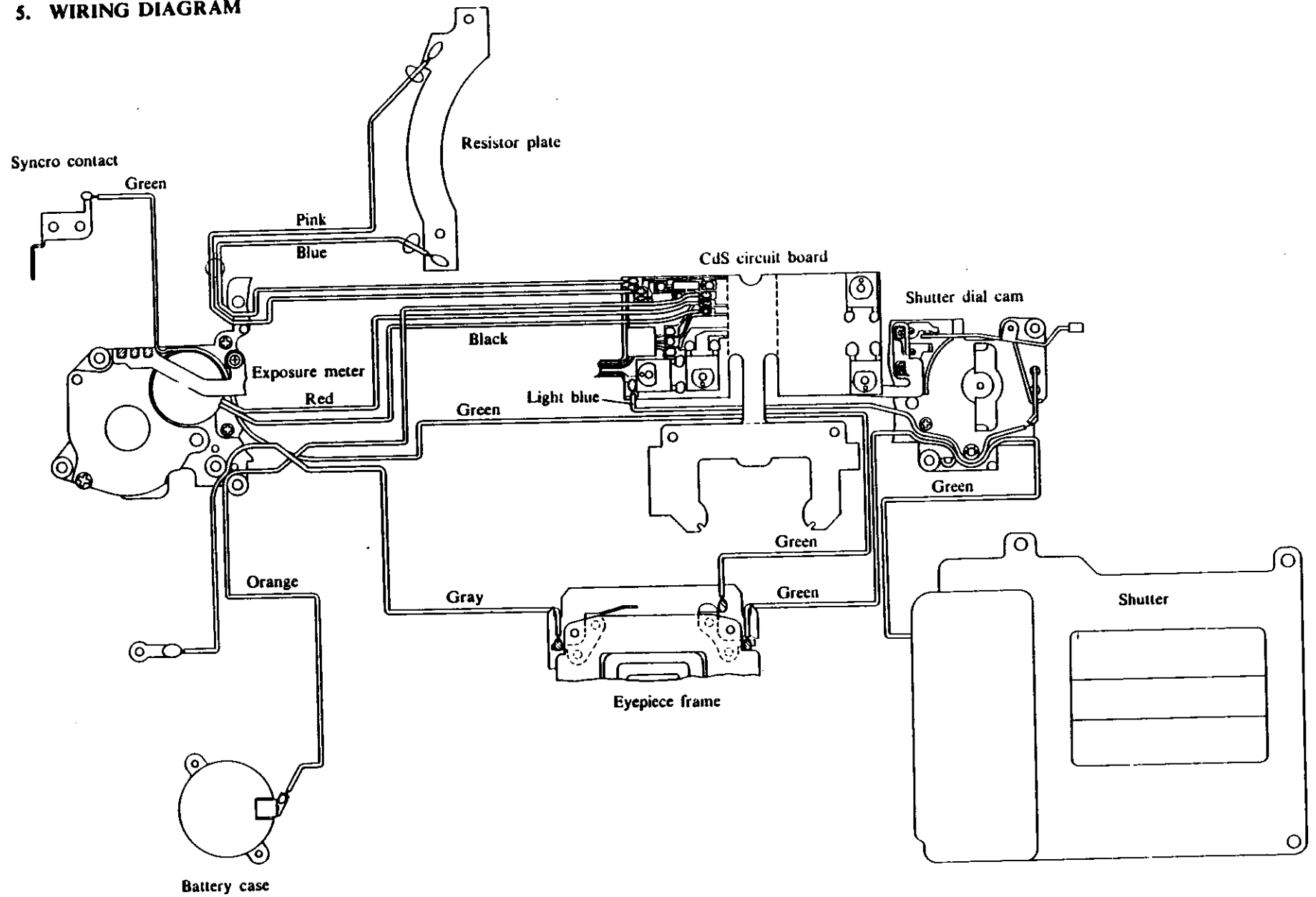
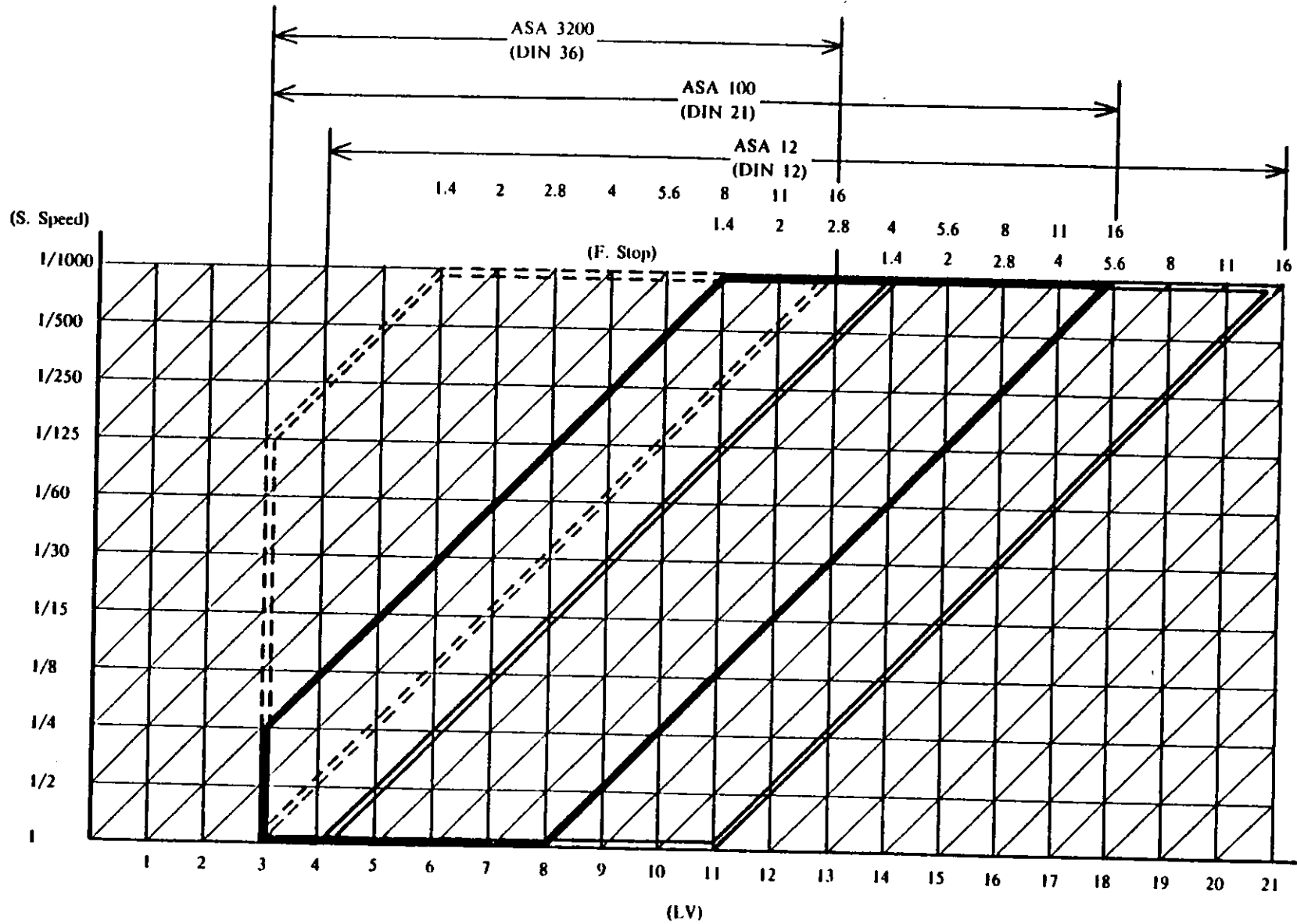


Fig. 28

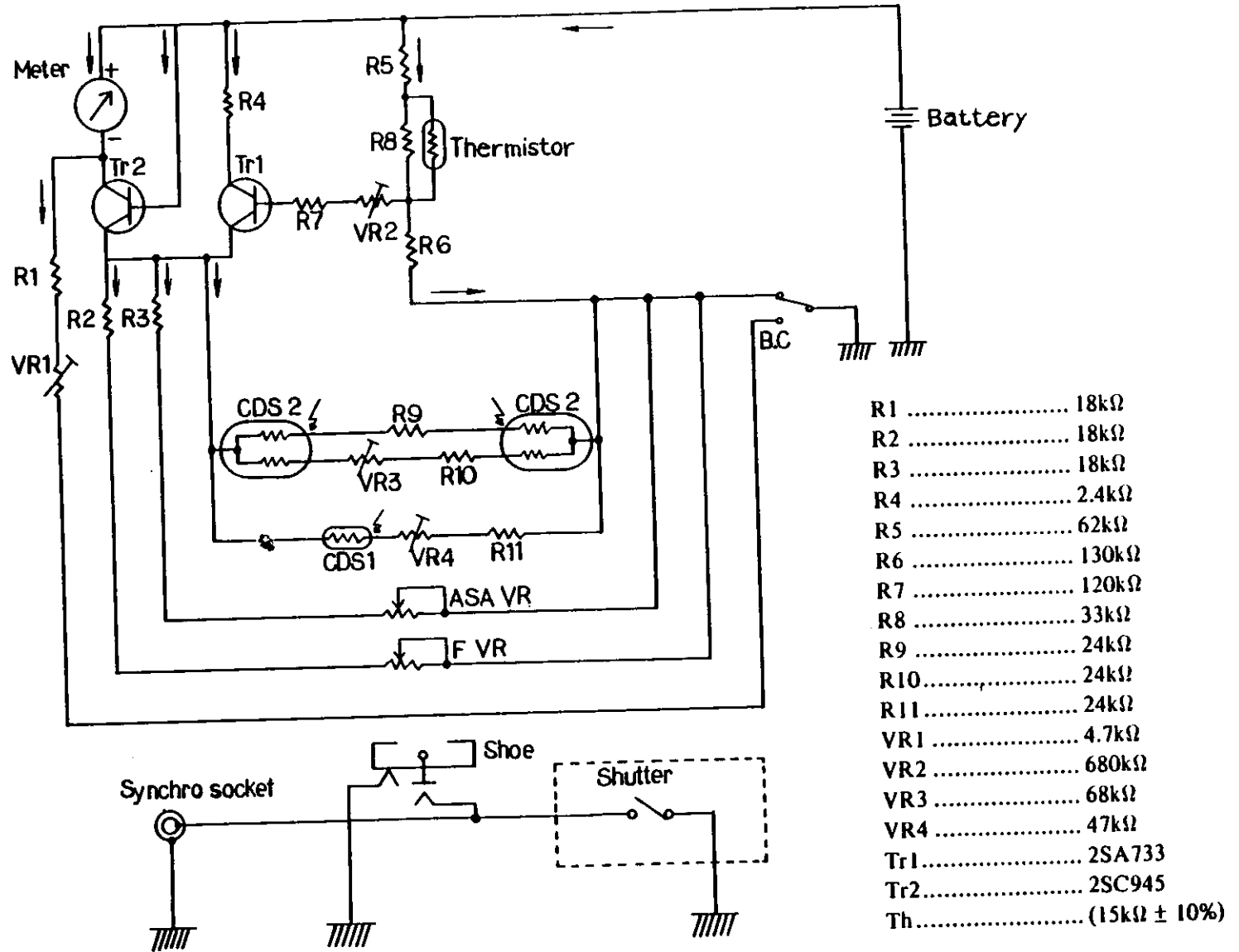
5. WIRING DIAGRAM



6. ASA RANGE

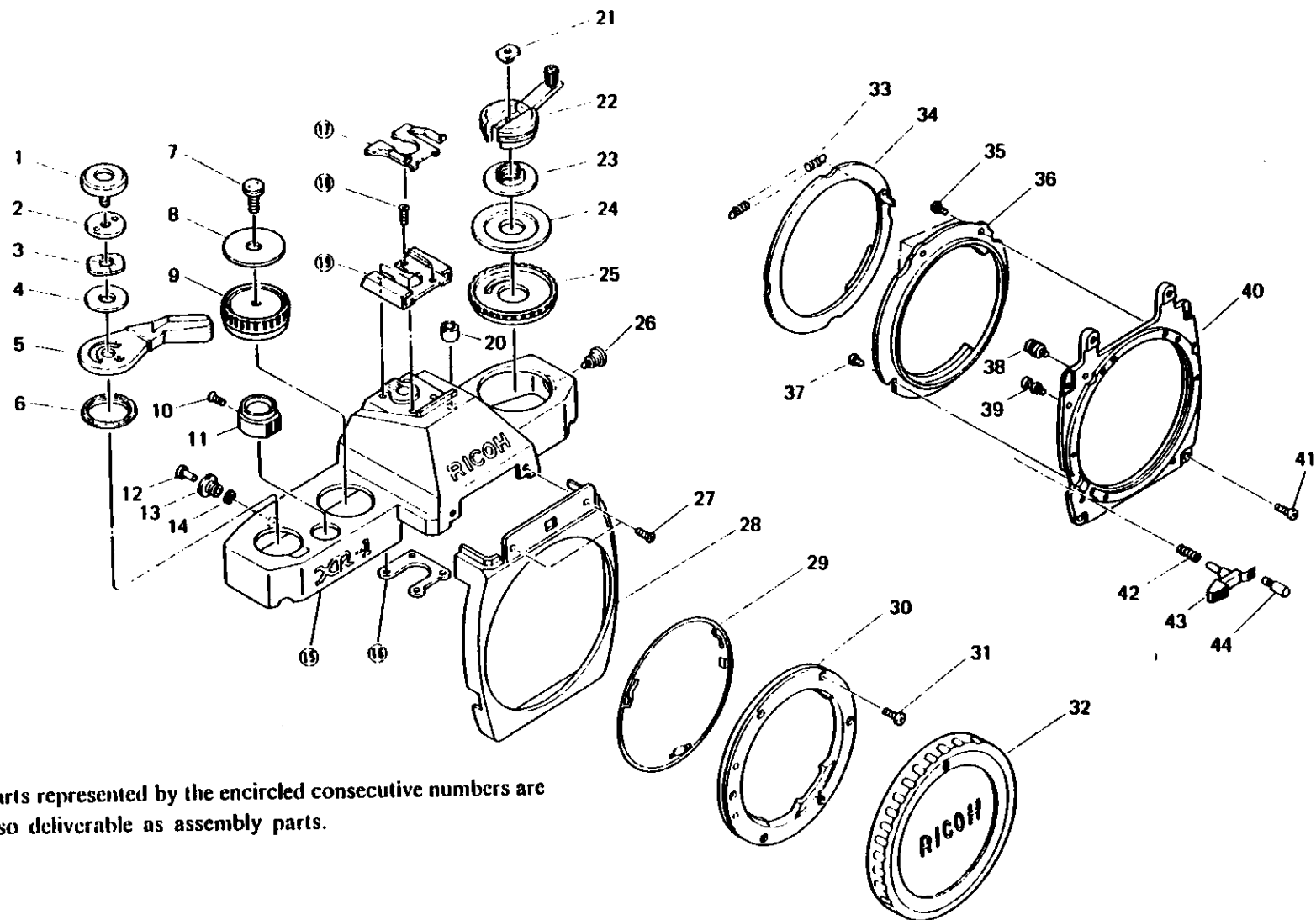


7. SCHEMATIC DIAGRAM



8. SKETCH INDEX AND PARTS LIST

A. Top and front parts

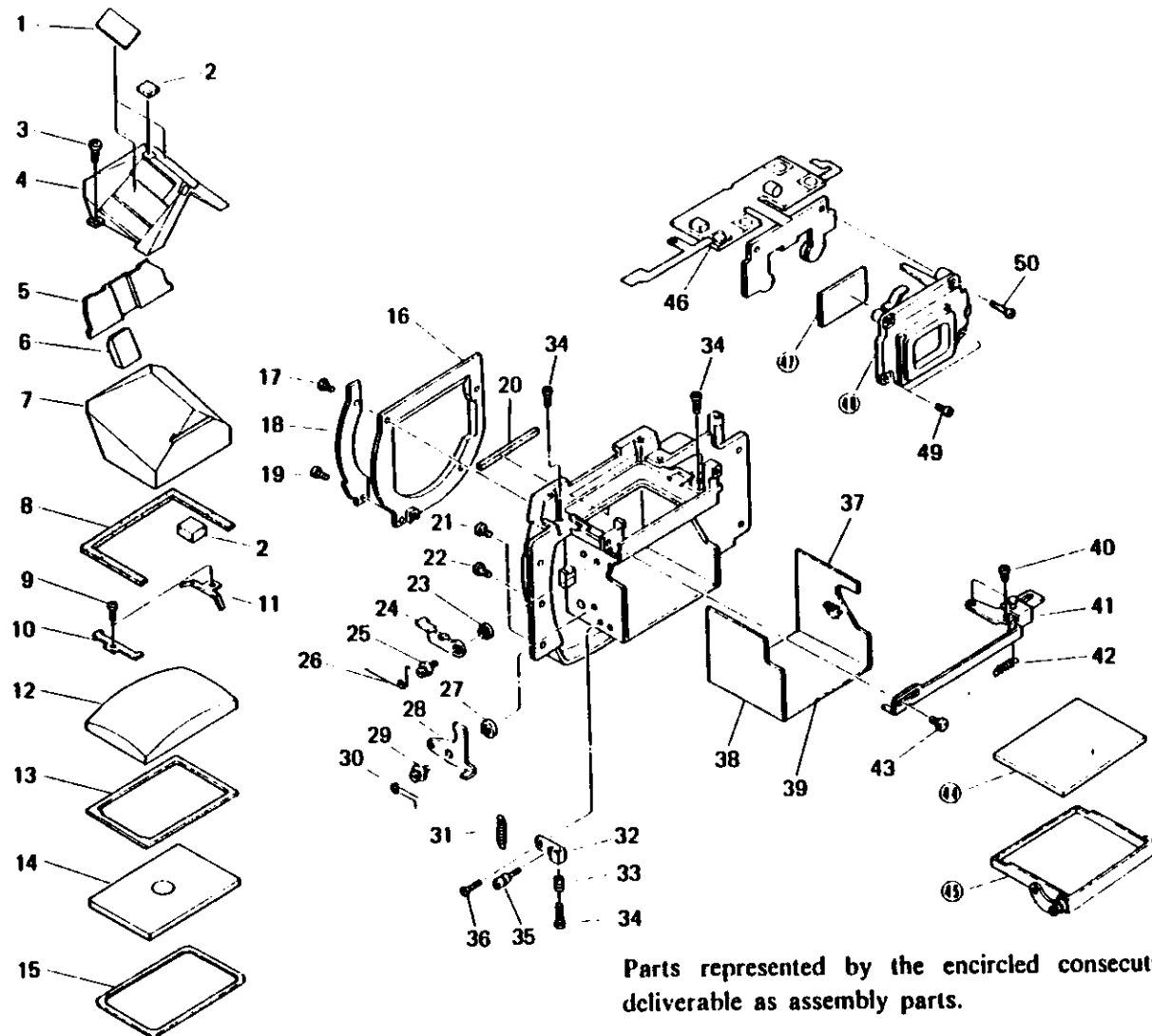


Parts represented by the encircled consecutive numbers are also deliverable as assembly parts.

| Sketch No. | Part No. | Description |
|------------|-----------|----------------------------|
| 1 | 31161113 | Screw : film wind up lever |
| 2 | 31161111 | Nut : film wind up lever |
| 3 | 31161112 | Spring washer |
| 4 | 31161105 | Washer |
| 5 | 31161001 | Film wind up lever ass'y |
| 6 | 31161183 | Nut : finder cover |
| 7 | 31161359 | Screw : shutter speed dial |
| 8 | 31161710 | Shutter speed plate |
| 9 | 31161709 | Shutter speed dial |
| 10 | 31163003 | Screw |
| 11 | 31161295 | Release holder |
| 12 | 31161146 | ME button |
| 13 | 31161147 | ME button holder |
| 14 | 07200012E | Retaining ring |
| 15~19 | 31161064 | Finder cover ass'y |
| 20 | 31161415 | Nut : ASA button |
| 21 | 31161424 | Nut : rewinding disk |
| 22 | 31161054 | Rewinding disk ass'y |
| 23 | 31161411 | Nut : ASA plate |
| 24 | 31161062 | ASA plate |
| 25 | 31161061 | ASA dial |
| 26 | 31021201 | Syncro socket |
| 27 | 31163004 | Screw |
| 28 | 31161029 | Front cover ass'y |
| 29 | 31161672 | Spring : mount |
| 30 | 31161671 | Lens mount |
| 31 | 02420040F | Screw M2.0 × 4.0 |
| 32 | 31162801 | Body cap |
| 33 | 31161636 | F stop spring |
| 34 | 31161047 | F stop ring ass'y |
| 35 | 02417020W | Screw M1.7 × 2.0 |
| 36 | 31161634 | Shield ring : lens mount |
| 37 | 31161631 | Screw |
| 38 | 31161632 | Spring hook B |
| 39 | 31161630 | Stopper B |
| 40 | 31161621 | Base : lens mount |
| 41 | 02420040W | Screw M2.0 × 4.0 |
| 42 | 31161676 | Spring |
| 43 | 31161028 | Lens lock button ass'y |

| Sketch No. | Part No. | Description |
|------------|----------|-------------|
| 44 | 31161673 | Pin |

B. Mirror box and viewfinder parts

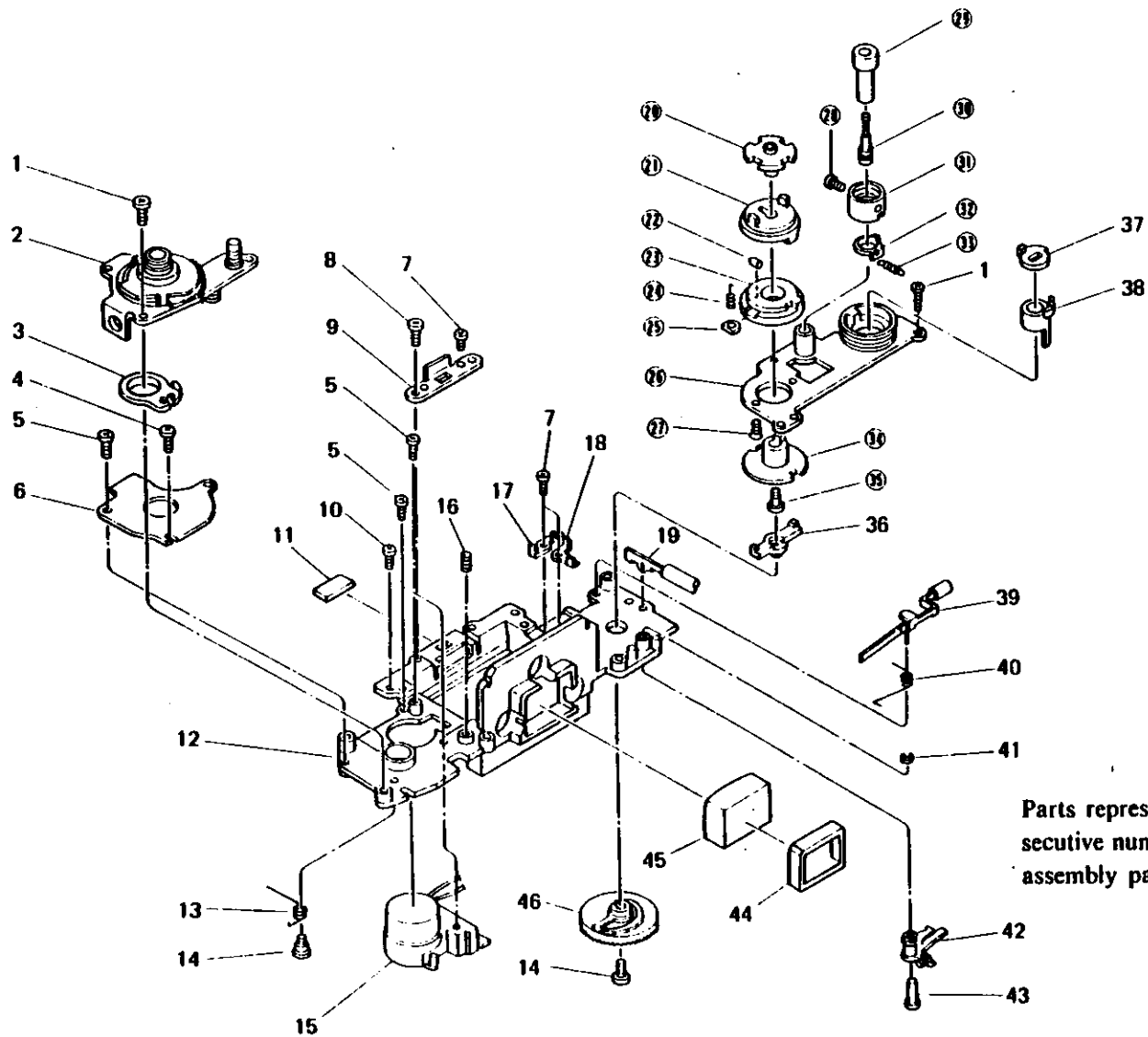


Parts represented by the encircled consecutive numbers are also deliverable as assembly parts.

| Sketch No. | Part No. | Description |
|------------|-----------|---------------------------|
| 1 | 31161862 | Adhesive tape |
| 2 | 31161310 | Shield |
| 3 | 02517035W | Screw M1.7 x 35 |
| 4 | 31161306 | Prism cover |
| 5 | 31161311 | F stop prism holder |
| 6 | 31161312 | F stop prism |
| 7 | 31161347 | Prism |
| 8 | 31161309 | Shield : prism |
| 9 | 02417020W | Screw M1.7 x 2.0 |
| 10 | 31161304 | Spring B |
| 11 | 31161303 | Spring A |
| 12 | 31161348 | Condenser lens |
| 13 | 31161302 | Spacer A |
| 14 | 31161349 | Fresnel lens |
| 15 | 31161595 | Spacer B |
| 16 | 31161635 | Shield plate : lens mount |
| 17 | 02417030Z | Screw M1.7 x 3.0 |
| 18 | 31161076 | Resistor plate ass'y |
| 19 | 31161685 | Screw |
| 20 | 31161582 | Shield |
| 21 | 02520035W | Screw M2.0 x 3.5 |
| 22 | 31161688 | Screw |
| 23 | 31161517 | Shaft |
| 24 | 31161045 | Adjusting lever ass'y |
| 25 | 31161518 | Screw |
| 26 | 31161519 | Spring |
| 27 | 31161603 | Shaft |
| 28 | 31161046 | Adjusting arm ass'y |
| 29 | 31161604 | Adjusting screw |
| 30 | 31161605 | Spring |
| 31 | 31161512 | Spring |
| 32 | 31161606 | Adjusting plate |
| 33 | 31161608 | Spring |
| 34 | 31161609 | Screw |
| 35 | 31161607 | Screw |
| 36 | 02417035W | Screw M1.7 x 3.5 |
| 37 | 31161579 | Shield A |
| 38 | 31161580 | Shield B |
| 39 | 31161581 | Shield C |

| Sketch No. | Part No. | Description |
|------------|-----------|------------------------------|
| 40 | 02017030W | Screw M1.7 x 3.0 |
| 41 | 31161088 | Speed connection lever ass'y |
| 42 | 31161372 | Spring |
| 43 | 31161371 | Screw |
| (44) | 31161504 | Mirror |
| (45) | 31161042 | Frame ass'y |
| 44~45 | 31161043 | Mirror frame ass'y |
| 46 | 31161077 | CdS circuit board ass'y |
| 47~48 | 31161071 | Eyepiece frame ass'y |
| 49 | 31161308 | Screw |
| 50 | 02417080Z | Screw M1.7 x 8.0 |

C. Prism frame and shutter dial parts



Parts represented by the encircled consecutive numbers are also deliverable as assembly parts.

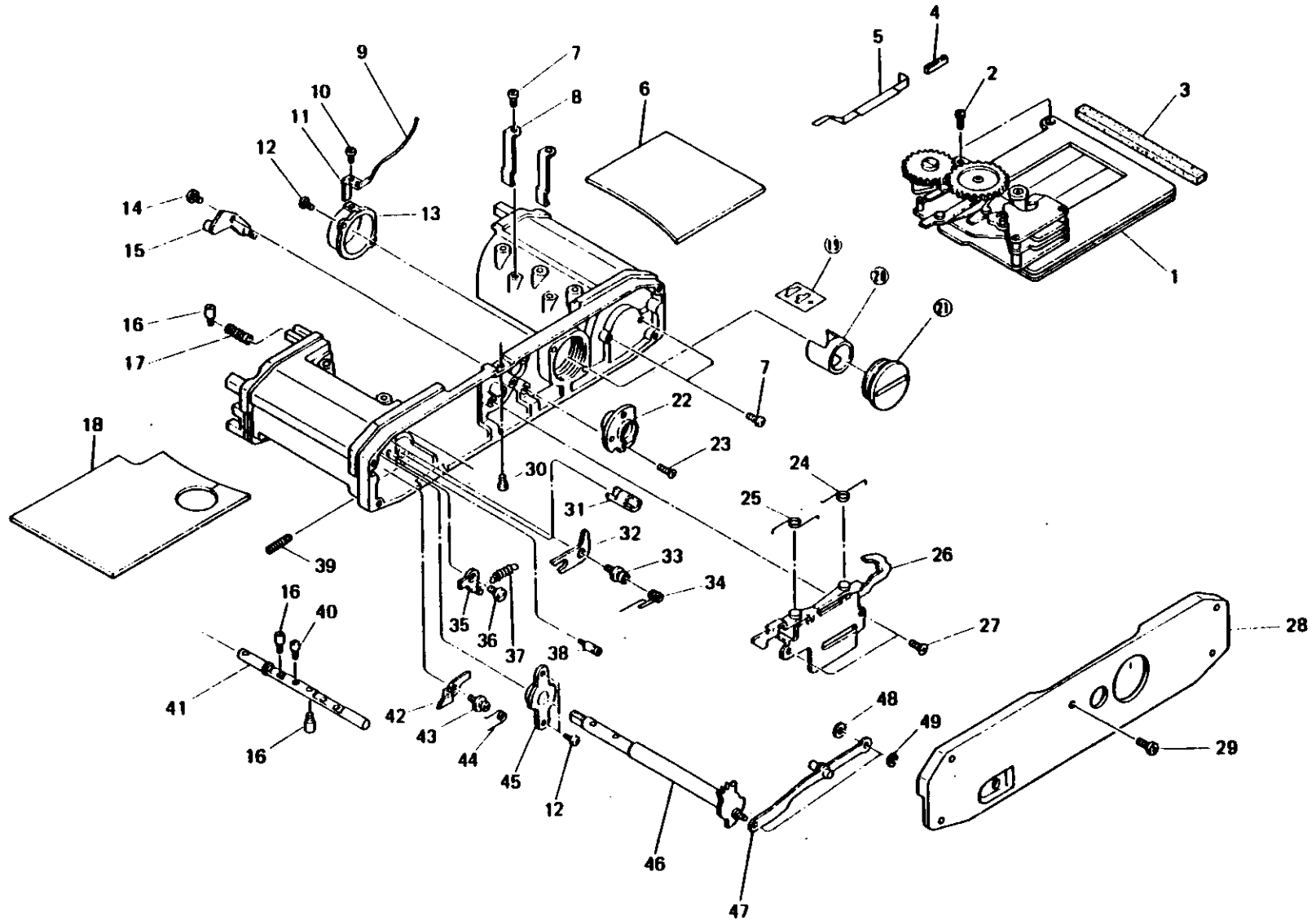
| Sketch No. | Part No. | Description |
|------------|-----------|-------------------------------|
| 1 | 02417070Z | Screw M1.7 × 7.0 |
| 2 | 31161015 | ASA base plate ass'y |
| 3 | 31161010 | ASA contact ass'y |
| 4 | 31161680 | Screw |
| 5 | 02514030Z | Screw M1.4 × 3.0 |
| 6 | 31161072 | ASA resistor plate ass'y |
| 7 | 02414025Z | Screw M1.4 × 2.5 |
| 8 | 02417030Z | Screw M1.7 × 3.0 |
| 9 | 31161319 | F stop adjusting plate |
| 10 | 02417030W | Screw M1.7 × 3.0 |
| 11 | 31161315 | Mirror B |
| 12 | 31161301 | Prism frame |
| 13 | 31161428 | Spring |
| 14 | 31161360 | Screw |
| 15 | 31161906 | Exposure meter |
| 16 | 31161427 | Spring |
| 17 | 31161907 | Power contact |
| 18 | 31161908 | Checker contact |
| 19 | 31161078 | Spring hook ass'y |
| (20) | 31161355 | Nut : shutter dial shaft |
| (21) | 31161708 | Click plate : shutter dial |
| (22) | 31161356 | Click |
| (23) | 31161352 | Bush : shutter dial |
| (24) | 31161357 | Spring |
| (25) | 31161353 | Nut |
| (26) | 31161066 | Shutter dial base plate |
| (27) | 02017035Z | Screw M1.7 × 3.5 |
| (28) | 02417020W | Screw M1.7 × 2.0 |
| (29) | 31161282 | Release button |
| (30) | 31161283 | Shaft : release button |
| (31) | 31161293 | Shaft : checker cam |
| (32) | 31161292 | Checker cam |
| (33) | 31161294 | Spring |
| (34) | 31161354 | Shutter dial shaft |
| (35) | 31161358 | Screw |
| 20~35 | 31161067 | Shutter dial base plate ass'y |
| 36 | 31161706 | Shaft : shutter dial cam |
| 37 | 31161110 | Cam : film wind-up lever |
| 38 | 31161106 | Cam : release lock |

| Sketch No. | Part No. | Description |
|------------|----------|--------------------------|
| 39 | 31161070 | Power contact ass'y |
| 40 | 31161717 | Spring |
| 41 | 31161682 | Retaining ring |
| 42 | 31161050 | Shutter dial arm ass'y |
| 43 | 31161366 | Shaft : shutter dial arm |
| 44 | 31161305 | Mask : eyepiece lens |
| 45 | 31161344 | Eyepiece lens |
| 46 | 31161707 | Speed indication cam |

| Sketch No. | Part No. | Description |
|------------|-----------|--------------------------------|
| 1 | 02520070Z | Screw M2.0 × 7.0 |
| 2 | 31161016 | Strap metal |
| 3 | 31161101 | Body |
| 4 | 31161464 | Latch : back cover |
| 5 | 31161466 | Clip cover |
| 6 | 02414030W | Screw M1.4 × 3.0 |
| 7 | 31161465 | Shaft : back cover latch |
| 8 | 31161469 | Screw : film guide |
| 9 | 31163002 | Screw |
| 10 | 31161488 | Shield |
| 11 | 02517045E | Screw M1.7 × 4.5 |
| 12 | 31161128 | Shaft |
| 13 | 31161127 | Stopper : reverse rotation |
| 14 | 31161129 | Spring |
| 15 | 31161426 | Washer |
| 16 | 31161416 | Rewinding shaft |
| 17 | 02417030Z | Screw M1.7 × 3.0 |
| 18 | 31161188 | Lug plate |
| 19 | 31161467 | Spring : back cover lock |
| 20 | 31161019 | Gear B.C ass'y |
| 21 | 02017055W | Screw M1.7 × 5.5 |
| 22 | 31161109 | Bush |
| 23 | 31161108 | Spring |
| 24 | 02017060Z | Screw M1.7 × 6.0 |
| 25 | 31161024 | Winding clutch ass'y |
| 26 | 31161130 | Gear A |
| 27 | 02017030W | Screw M1.7 × 3.0 |
| 28 | 31161023 | Winding shaft base plate ass'y |
| 29 | 31161122 | Spool gear |
| 30 | 31161022 | Holder : spool |
| 31 | 02414035Z | Screw M1.4 × 3.5 |
| 32 | 31161145 | Spring |
| 33 | 31161144 | Shaft : ME lever |
| 34 | 31161143 | ME lever |
| 35 | 02417070Z | Screw M1.7 × 7.0 |
| 36 | 31161017 | Spool |
| 37 | 31161142 | Bush : sprocket gear |
| 38 | 02414025Z | Screw M1.4 × 2.5 |
| 39 | 31161137 | Pin |

| Sketch No. | Part No. | Description |
|------------|----------|----------------------|
| 40 | 31161135 | Sprocket gear |
| 41 | 31161140 | Spring |
| 42 | 31161136 | Sprocket shaft |
| 43 | 31161139 | Sprocket metal |
| 44 | 31161138 | Sprocket |
| 45 | 31161141 | Screw : sprocket |
| 46 | 31161053 | Film counter ass'y |
| 47 | 31161489 | Shield |
| (50) | 31161006 | Pressure plate ass'y |
| 48~51 | 31161065 | Back cover ass'y |

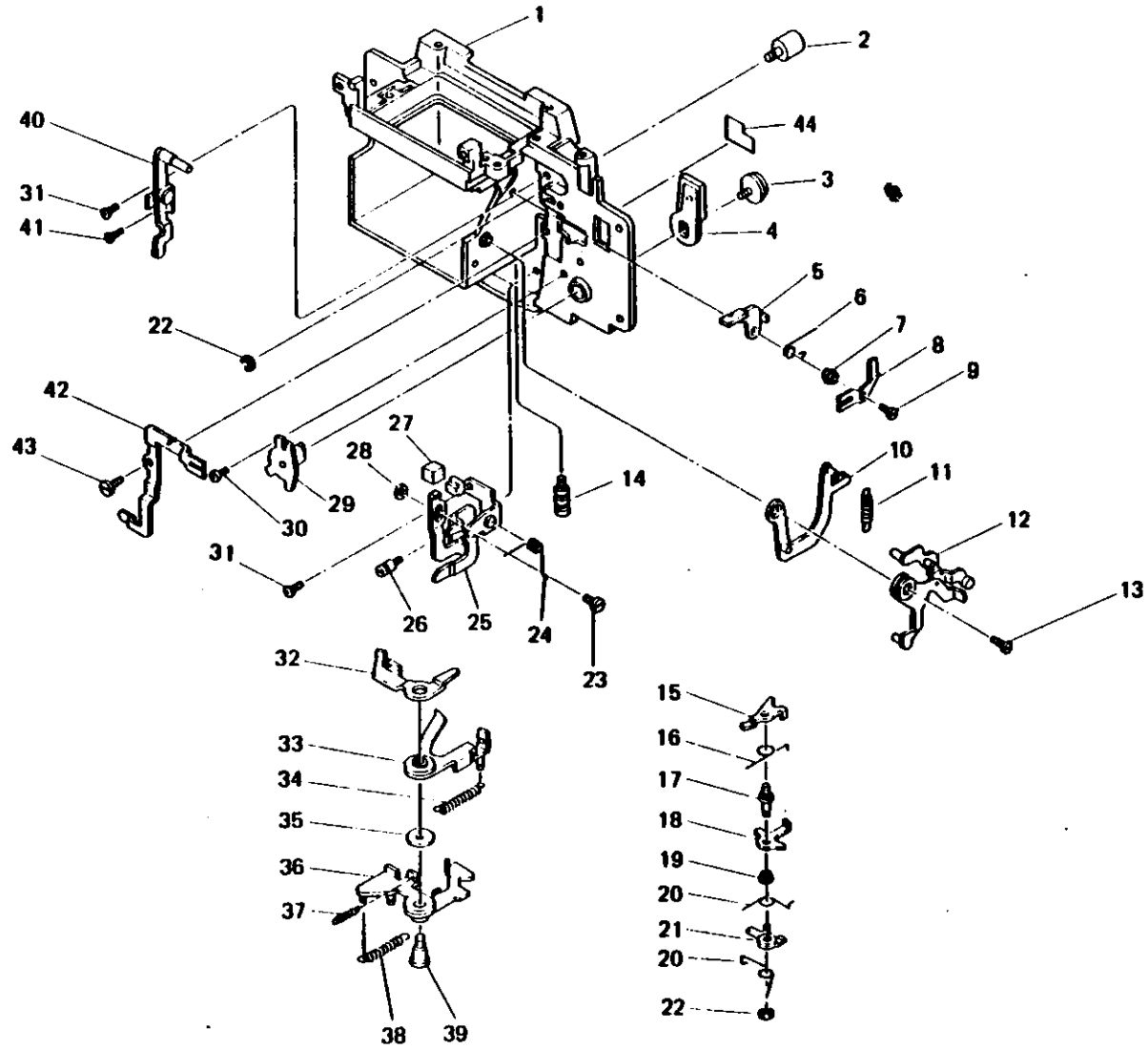
E. Shutter and bottom parts



| Sketch No. | Part No. | Description |
|------------|-----------|--|
| 1 | 31161701 | Shutter ass'y |
| 2 | 02020030Z | Screw M2.0 x 3.0 |
| 3 | 31163005 | Shield |
| 4 | 31161186 | S stopper |
| 5 | 31161187 | Shield plate |
| 6 | 31161586 | Front leather : left |
| 7 | 02417020W | Screw M1.7 x 2.0 |
| 8 | 31161490 | Plate |
| 9 | 31161929 | Orange wire |
| 10 | 31161687 | Screw |
| 11 | 31161483 | Contact : battery case |
| 12 | 02417025W | Screw M1.7 x 2.5 |
| 13 | 31161482 | Battery case |
| 14 | 31161228 | Shaft screw |
| 15 | 31161025 | Set connection lever ass'y |
| 16 | 31161286 | Screw |
| 17 | 31161285 | Spring |
| 18 | 31161587 | Front leather : right |
| 19~21 | 31161004 | Battery cover ass'y |
| 22 | 31161481 | Tripod socket |
| 23 | 02017035Z | Screw M1.7 x 3.5 |
| 24 | 31161226 | Spring |
| 25 | 31161223 | Spring |
| 26 | 31161027 | Shutter-winding connection lever ass'y |
| 27 | 02017030W | Screw M1.7 x 3.0 |
| 28 | 31161181 | Bottom cover |
| 29 | 31121159 | Screw |
| 30 | 02417030W | Screw M1.7 x 3.0 |
| 31 | 31161233 | Light leak prevention |
| 32 | 31161209 | Safety lever |
| 33 | 31161210 | Shaft : safety lever |
| 34 | 31161211 | Spring |
| 35 | 31161018 | Nail lever |
| 36 | 31161207 | Shaft |
| 37 | 31161208 | Spring |
| 38 | 31161212 | Spring hook |
| 39 | 05020080E | Screw |
| 40 | 31161589 | Screw |
| 41 | 31161284 | Release shaft |

| Sketch No. | Part No. | Description |
|------------|-----------|------------------------|
| 42 | 31161213 | Lock lever |
| 43 | 31161214 | Shaft : lock lever |
| 44 | 31161215 | Spring |
| 45 | 31161201 | Push B : wind-up shaft |
| 46 | 31161021 | Wind-up shaft ass'y |
| 47 | 31161026 | Connection lever ass'y |
| 48 | 31161231 | Washer |
| 49 | 07200012E | Retaining ring |

F. Mirror box parts



| Sketch No. | Part No. | Description |
|------------|-----------|--------------------------------------|
| 1 | 31161069 | Mirror box |
| 2 | 31161577 | PV button |
| 3 | 31131222 | Screw : self lever |
| 4 | 31131026 | Self lever ass'y |
| 5 | 31161044 | Adjusting lever right : mirror frame |
| 6 | 31161515 | Spring |
| 7 | 31161520 | S lever bush |
| 8 | 31161521 | S lever |
| 9 | 31161522 | Screw : S lever |
| 10 | 31161030 | Diaphragm lever |
| 11 | 31161537 | Diaphragm spring |
| 12 | 31161032 | Mirror up lever |
| 13 | 31161539 | Screw |
| 14 | 31161559 | Screw : spring hook |
| 15 | 31161551 | PM stop lever |
| 16 | 31161552 | Spring |
| 17 | 31161553 | Shaft : PM stop lever |
| 18 | 31161554 | Lever A |
| 19 | 31161588 | Bush |
| 20 | 31161555 | Spring |
| 21 | 31161037 | Lever B |
| 22 | 07200015E | Retaining ring |
| 23 | 31161562 | Screw |
| 24 | 31161573 | Spring |
| 25 | 31161036 | PV connection lever ass'y |
| 26 | 31161576 | Screw |
| 27 | 31161575 | Rubber : lever cushion |
| 28 | 31161563 | Washer |
| 29 | 31161585 | Shfat : self timer |
| 30 | 02517020W | Screw M1.7 × 2.0 |
| 31 | 02417020W | Screw M1.7 × 2.0 |
| 32 | 31161542 | PM lever |
| 33 | 31161038 | Mirror connection lever |
| 34 | 31161550 | Spring |
| 35 | 31161546 | Washer |
| 36 | 31161039 | Q set lever |
| 37 | 31161549 | Spring |
| 38 | 31161578 | Spring |
| 39 | 31161547 | Shaft : Q set lever |

| Sketch No. | Part No. | Description |
|------------|-----------|---------------------|
| 40 | 31161033 | PV base plate ass'y |
| 41 | 02017022W | Screw M1.7 × 2.2 |
| 42 | 31161715 | Release lever M. |
| 43 | 31161584 | Screw |
| 44 | 31161583 | Plate |

9. PARTS INDEX

| Part No. | Description | Sketch No. |
|----------|--|------------|
| 31161001 | Film wind up lever ass'y | A-5 |
| 31161004 | Battery cover ass'y | E-19~21 |
| 31161006 | Pressure plate ass'y | D-50 |
| 31161010 | ASA contact ass'y | C-3 |
| 31161015 | ASA base plate ass'y | C-2 |
| 31161016 | Strap metal | D-2 |
| 31161017 | Spool | D-36 |
| 31161018 | Nail lever | E-35 |
| 31161019 | Gears B. C. ass'y | D-20 |
| 31161021 | Wind up shaft ass'y | E-46 |
| 31161022 | Holder : spool | D-30 |
| 31161023 | Winding shaft base plate ass'y | D-28 |
| 31161024 | Winding clutch ass'y | D-25 |
| 31161025 | Set connection lever ass'y | E-15 |
| 31161026 | Connection lever ass'y | E-47 |
| 31161027 | Shutter-winding connection lever ass'y | E-26 |
| 31161028 | Lens lock button ass'y | A-43 |
| 31161029 | Front cover ass'y | A-28 |
| 31161030 | Diaphragm lever | F-10 |
| 31161032 | Mirror up lever | F-12 |
| 31161033 | PV base plate ass'y | F-40 |
| 31161036 | PV connection lever ass'y | F-25 |
| 31161037 | Lever B | F-21 |
| 31161038 | Mirror connection lever | F-33 |
| 31161039 | Q set lever | F-36 |
| 31161042 | Frame ass'y | B-45 |
| 31161043 | Mirror frame ass'y | B-44~45 |
| 31161044 | Adjusting lever right : mirror frame | F-5 |
| 31161045 | Adjusting lever ass'y | B-24 |
| 31161046 | Adjusting arm ass'y | B-28 |
| 31161047 | F stop ring ass'y | A-34 |
| 31161050 | Shutter dial arm ass'y | C-42 |
| 31161053 | Film counter ass'y | D-46 |
| 31161054 | Rewinding disk ass'y | A-22 |
| 31161061 | ASA dial | A-25 |
| 31161062 | ASA plate | A-24 |
| 31161064 | Finder cover ass'y | A-15~19 |

| Part No. | Description | Sketch No. |
|----------|-------------------------------|------------|
| 31161065 | Back cover ass'y | D-48~51 |
| 31161066 | Speed dial base plate ass'y | C-26 |
| 31161067 | Shutter dial base plate ass'y | C-20~35 |
| 31161069 | Mirror box | F-1 |
| 31161070 | Power contact ass'y | C-39 |
| 31161071 | Eyepiece frame ass'y | B-48 |
| 31161072 | ASA resistor plate ass'y | C-6 |
| 31161076 | Resistor plate ass'y | B-18 |
| 31161077 | CdS circuit board ass'y | B-46 |
| 31161078 | Spring hook ass'y | C-19 |
| 31161088 | Speed connection lever ass'y | B-41 |
| 31161101 | Body | D-3 |
| 31161105 | Washer | A-4 |
| 31161106 | Cam : release lever | C-38 |
| 31161108 | Spring | D-23 |
| 31161109 | Bush | D-22 |
| 31161110 | Cam : film wind-up lever | C-37 |
| 31161111 | Nut : film wind-up lever | A-2 |
| 31161112 | Spring washer | A-3 |
| 31161113 | Screw : film wind-up lever | A-1 |
| 31161122 | Spool gear | D-29 |
| 31161127 | Stopper : reverse rotation | D-13 |
| 31161128 | Shaft | D-12 |
| 31161129 | Spring | D-14 |
| 31161130 | Gear A | D-26 |
| 31161135 | Sprocket gear | D-40 |
| 31161136 | Sprocket shaft | D-42 |
| 31161137 | Pin | D-39 |
| 31161138 | Sprocket | D-44 |
| 31161139 | Sprocket metal | D-43 |
| 31161140 | Spring | D-41 |
| 31161141 | Screw : sprocket | D-45 |
| 31161142 | Bush : sprocket gear | D-37 |
| 31161143 | ME lever | D-34 |
| 31161144 | Shaft : ME lever | D-33 |
| 31161145 | Spring | D-32 |
| 31161146 | ME button | A-12 |

| Part No. | Description | Sketch No. |
|----------|------------------------|------------|
| 31161147 | ME button holder | A-13 |
| 31161181 | Bottom cover | E-28 |
| 31161183 | Nut : finder cover | A-6 |
| 31161186 | S stopper | E-4 |
| 31161187 | Shield plate | E-5 |
| 31161188 | Lug plate | D-18 |
| 31161196 | Nut : accessory shoe | A-16 |
| 31161201 | Bush B : wind-up shaft | E-45 |
| 31161207 | Shaft | E-36 |
| 31161208 | Spring | E-37 |
| 31161209 | Safety lever | E-32 |
| 31161210 | Shaft : safety lever | E-33 |
| 31161211 | Spring | E-34 |
| 31161212 | Spring hook | E-38 |
| 31161213 | Lock lever | E-42 |
| 31161214 | Shaft : lock lever | E-43 |
| 31161215 | Spring | E-44 |
| 31161223 | Spring | E-25 |
| 31161226 | Spring | E-24 |
| 31161228 | Shaft screw | E-14 |
| 31161231 | Washer | E-48 |
| 31161233 | Light leak prevention | E-31 |
| 31161282 | Release button | C-29 |
| 31161283 | Shaft : release button | C-30 |
| 31161284 | Release shaft | E-41 |
| 31161285 | Spring | E-17 |
| 31161286 | Screw | E-16 |
| 31161292 | Checker cam | C-32 |
| 31161293 | Shaft : checker cam | C-31 |
| 31161294 | Spring | C-33 |
| 31161295 | Release holder | A-11 |
| 31161301 | Prism frame | C-12 |
| 31161302 | Spacer A | B-13 |
| 31161303 | Spring A | B-11 |
| 31161304 | Spring B | B-10 |
| 31161305 | Mask : eyepiece lens | C-44 |
| 31161306 | Prism cover | B-4 |
| 31161308 | Screw | B-49 |

| Part No. | Description | Sketch No. |
|----------|----------------------------|------------|
| 31161309 | Shield : prism | B-8 |
| 31161310 | Shield | B-2 |
| 31161311 | F stop prism holder | B-5 |
| 31161312 | F stop prism | B-6 |
| 31161315 | Mirror B | C-11 |
| 31161319 | F stop adjusting plate | C-9 |
| 31161344 | Eyepiece lens | C-45 |
| 31161347 | Prism | B-7 |
| 31161348 | Condenser lens | B-12 |
| 31161349 | Fresnel lens | B-14 |
| 31161352 | Bush : shutter dial | C-23 |
| 31161353 | Nut | C-25 |
| 31161354 | Shutter dial shaft | C-34 |
| 31161355 | Nut : shutter dial shaft | C-20 |
| 31161356 | Click | C-22 |
| 31161357 | Spring | C-24 |
| 31161358 | Screw | C-35 |
| 31161359 | Screw : shutter speed dial | A-7 |
| 31161360 | Screw | C-14 |
| 31161366 | Shaft : shutter dial arm | C-43 |
| 31161371 | Screw | B-43 |
| 31161372 | Spring | B-42 |
| 31161411 | Nut : ASA plate | A-23 |
| 31161415 | Nut : ASA button | A-20 |
| 31161416 | Rewinding shaft | D-16 |
| 31161424 | Nut : rewinding disk | A-21 |
| 31161426 | Washer | D-15 |
| 31161427 | Spring | C-16 |
| 31161428 | Spring | C-13 |
| 31161464 | Latch : back cover | D-4 |
| 31161465 | Shaft : back cover latch | D-7 |
| 31161466 | Clip cover | D-5 |
| 31161467 | Spring : back cover lock | D-19 |
| 31161469 | Screw : film guide | D-8 |
| 31161481 | Tripod socket | E-22 |
| 31161482 | Battery case | E-13 |
| 31161483 | Contact : battery case | E-11 |
| 31161488 | Shield | D-10 |

| Part No. | Description | Sketch No. |
|----------|------------------------|------------|
| 31161489 | Shield | D 47 |
| 31161490 | Plate | E 8 |
| 31161504 | Mirror | B 44 |
| 31161512 | Spring | B 31 |
| 31161515 | Spring | F 6 |
| 31161517 | Shaft | B 23 |
| 31161518 | Screw | B 25 |
| 31161519 | Spring | B 26 |
| 31161520 | S lever bush | F 7 |
| 31161521 | S lever | F 8 |
| 31161522 | Screw : S lever | F 9 |
| 31161537 | Diaphragm spring | F 11 |
| 31161539 | Screw | F 13 |
| 31161542 | PM lever | F 32 |
| 31161546 | Washer | F 35 |
| 31161547 | Shaft : Q set lever | F 39 |
| 31161549 | Spring | F 37 |
| 31161550 | Spring | F 34 |
| 31161551 | PM stop lever | F 15 |
| 31161552 | Spring | F 16 |
| 31161553 | Shaft : PM stop lever | F 17 |
| 31161554 | Lever A | F 18 |
| 31161555 | Spring | F 20 |
| 31161559 | Screw : spring hook | F 14 |
| 31161562 | Screw | F 23 |
| 31161563 | Washer | F 28 |
| 31161573 | Spring | F 24 |
| 31161575 | Rubber : lever cushion | F 27 |
| 31161576 | Screw | F 26 |
| 31161577 | PV button | F 2 |
| 31161578 | Spring | F 38 |
| 31161579 | Shield A | B 37 |
| 31161580 | Shield B | B 38 |
| 31161581 | Shield C | B 39 |
| 31161582 | Shield | B 20 |
| 31161583 | Plate | F 44 |
| 31161584 | Screw | F 43 |
| 31161585 | Shaft : self timer | F 29 |

| Part No. | Description | Sketch No. |
|----------|----------------------------|------------|
| 31161586 | Front leather : left | E 6 |
| 31161587 | Front leather : right | E 18 |
| 31161588 | Bush | F 19 |
| 31161589 | Screw | E 40 |
| 31161595 | Spacer B | B 15 |
| 31161603 | Shaft | B 27 |
| 31161604 | Adjusting screw | B 29 |
| 31161605 | Spring | B 30 |
| 31161606 | Adjusting plate | B 32 |
| 31161607 | Screw | B 35 |
| 31161608 | Spring | B 33 |
| 31161609 | Screw | B 34 |
| 31161621 | Base : lens mount | A 40 |
| 31161630 | Stopper B | A 39 |
| 31161631 | Screw | A 37 |
| 31161632 | Spring hook B | A 38 |
| 31161634 | Shield ring : lens mount | A 36 |
| 31161635 | Shield plate : lens mount | B 16 |
| 31161636 | F stop spring | A 33 |
| 31161671 | Lens mount | A 30 |
| 31161672 | Spring : mount | A 29 |
| 31161673 | Pin | A 44 |
| 31161676 | Spring | A 42 |
| 31161680 | Screw | C 4 |
| 31161682 | Retaining ring | C 41 |
| 31161685 | Screw | B 19 |
| 31161687 | Screw | E 10 |
| 31161688 | Screw | B 22 |
| 31161701 | Shutter ass'y | E 1 |
| 31161706 | Shaft : shutter dial cam | C 36 |
| 31161707 | Speed indication cam | C 46 |
| 31161708 | Click plate : shutter dial | C 21 |
| 31161709 | Shutter speed dial | A 9 |
| 31161710 | Shutter speed plate | A 8 |
| 31161715 | Release lever M | F 42 |
| 31161717 | Spring | C 40 |
| 31161862 | Adhesive tape | B 1 |
| 31161906 | Exposure meter | C 15 |

| Part No. | Description | Sketch No. |
|-----------|--------------------|----------------------------------|
| 31161907 | Power contact | C-17 |
| 31161908 | Checker contact | C-18 |
| 31161929 | Arrange wire | E-9 |
| 31162801 | Body cap | A-32 |
| 31163003 | Screw | A-10 |
| 31163004 | Screw | A-27, D-9 |
| 31163005 | Shield | E-3 |
| 3002 | Screw | D-9 |
| 31021201 | Syncro rocket | A-26 |
| 31121503 | Accessory shoe | A-19 |
| 31131026 | Self lever ass'y | F-4 |
| 31131159 | Screw | E-29 |
| 31131202 | Shoe spring | A-17 |
| 31131222 | Screw : self lever | F-3 |
| 02017022W | Screw M1.7 x 2.2 | F-41 |
| 02017030W | Screw M1.7 x 3.0 | B-40, D-27, E-27 |
| 02017035Z | Screw M1.7 x 3.5 | A-18, C-27, E-23 |
| 02017055W | Screw M1.7 x 5.5 | D-21 |
| 02017060Z | Screw M1.7 x 6.0 | D-24 |
| 02020030Z | Screw M2.0 x 3.0 | E-2 |
| 02414025W | Screw M1.4 x 2.5 | E-12 |
| 02414025Z | Screw M1.4 x 2.5 | C-7, D-38 |
| 02414030W | Screw M1.4 x 3.0 | D-6 |
| 02414035Z | Screw M1.4 x 3.5 | D-31 |
| 02417020W | Screw M1.7 x 2.0 | A-35, B-9, C-28, E-7, F-31 |
| 02417030W | Screw M1.7 x 3.0 | C-10, E-30 |
| 02417030Z | Screw M1.7 x 3.0 | B-17, C-8, D17 |
| 02417035W | Screw M1.7 x 3.5 | B-36 |
| 02417070Z | Screw M1.7 x 7.0 | C-1, D-35 |
| 02417080Z | Screw M1.7 x 8.0 | B-50 |
| 02420040F | Screw M2.0 x 4.0 | A-31 |
| 02420040W | Screw M2.0 x 4.0 | A-41 |
| 02514030Z | Screw M1.4 x 30 | C-5 |

| Part No. | Description | Sketch No. |
|-----------|------------------|------------|
| 02517020W | Screw M1.7 x 2.0 | F-30 |
| 02517035W | Screw M1.7 x 3.5 | B-3 |
| 02517045E | Screw M1.7 x 4.5 | D-11 |
| 02520035W | Screw M2.0 x 3.5 | B-21 |
| 02520070Z | Screw M2.0 x 7.0 | D-1 |
| 05020080E | Screw | E-39 |
| 07200012E | Retaining ring | A-14, E-49 |
| 07200015E | Retaining ring | F-22 |

Your Mark of Quality



RICOH COMPANY, LTD.
No. 14-6, 6-chome, Ginza, Chuo-ku, Tokyo, Japan

RICOH OF AMERICA, INC.
389 Passaic Ave., Fairfield
New Jersey 07006
U. S. A.

RICOH NEDERLAND B.V.
Alpen Rondweg 102 P.O.Box 114
Amstelveen - Holland