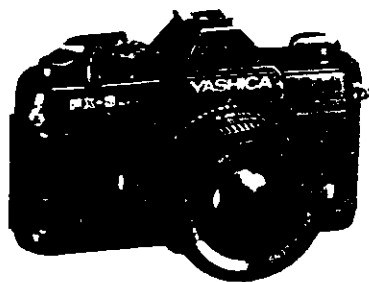


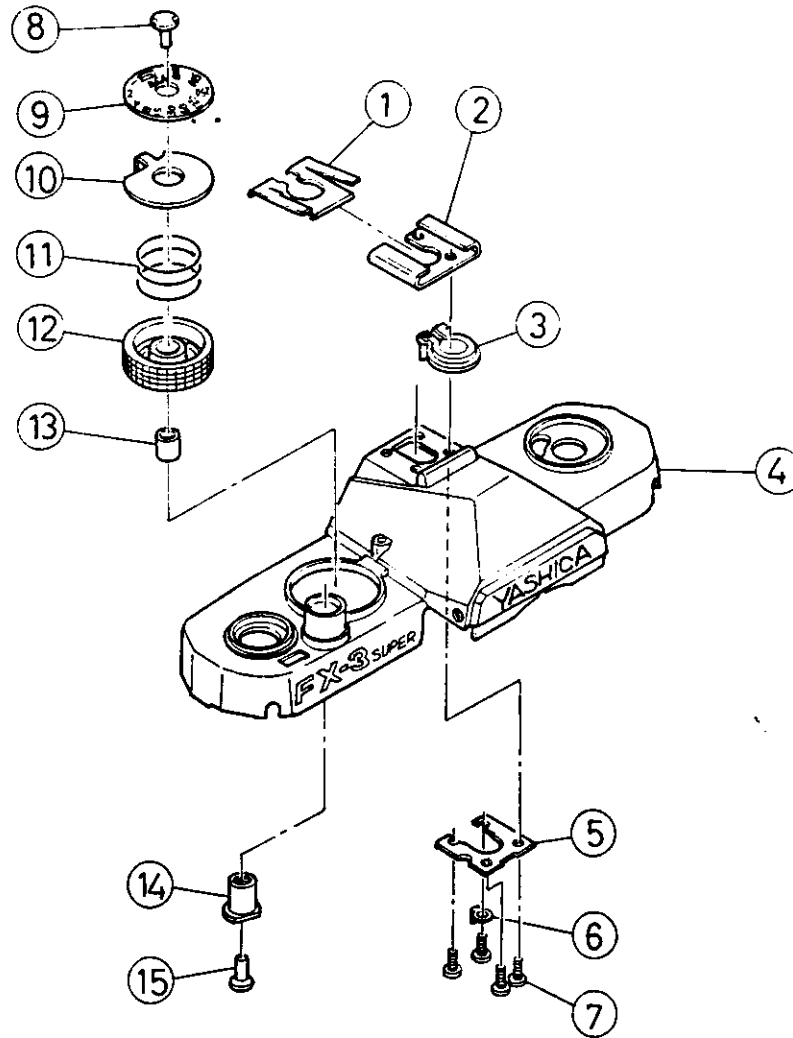
YASHICA

FX-3 SUPER

ASSEMBLING CHART

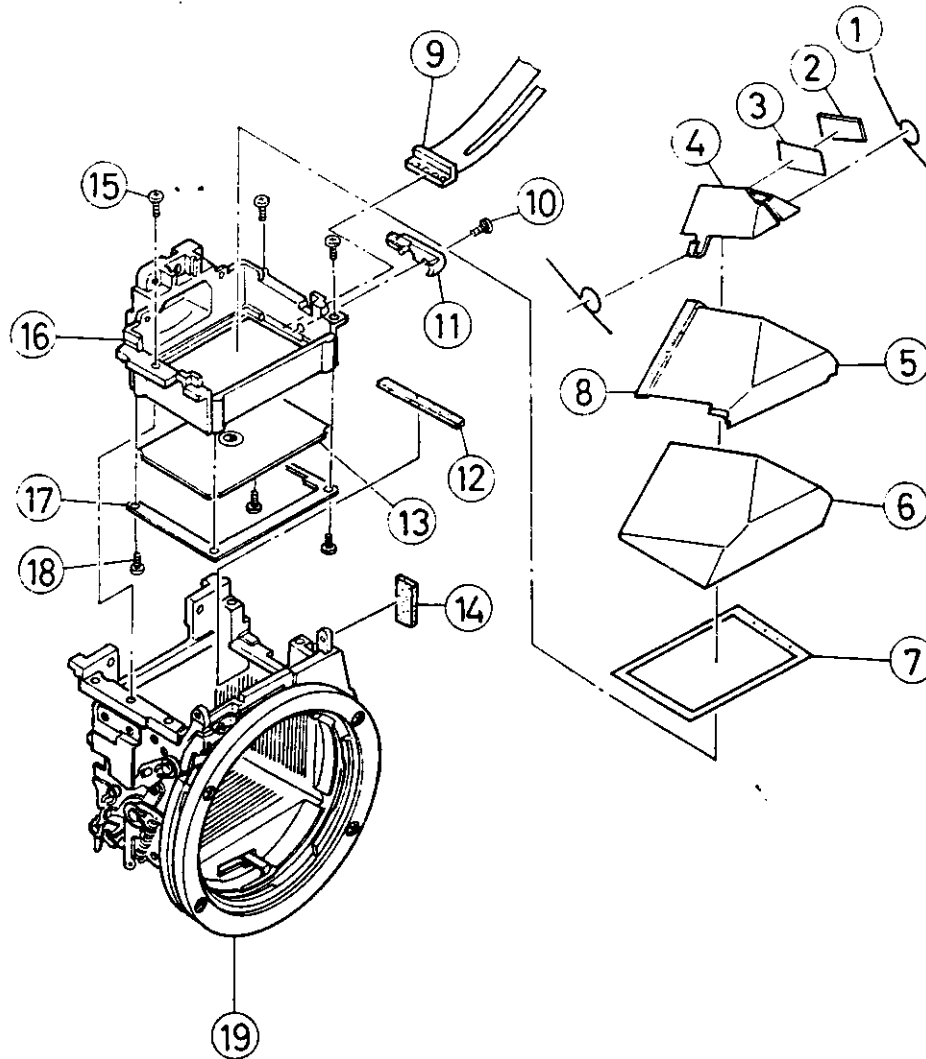


 KYOCERA CORPORATION
YASHICA DIVISION JAPAN



PARTS NO.	DESCRIPTION	QTY
1 149 178	SHOE PLATE SPRING(FX-3 SUPER)	1
1 153 128	SHOE PLATE SPRING(FX-7 SUPER)	1
2 153 122	ACCESSORY SHOE	1
3 067 165-S	SHOE CONTACT ASS'Y	1
4 066 910-S	TOP COVER ASS'Y(FX-3 SUPER)	1
4 069 910-S	TOP COVER ASS'Y(FX-7 SUPER)	1
5 164 151	SHOE REINFORCEMENT PLATE	1
6 147 163	SHOE LUG PLATE	1
7 61912822	SHOE REINFORCEMENT PLATE S.S	4
8 147 443	NAME PLATE S.S	1
9 147 415	SHUTTER DIAL NAME PLATE	1
10 164 414	ISO NAME PLATE	1
11 147 416	ASA SPRING	1
12 147 418	SHUTTER DIAL	1
13 147 409	ASA COLLAR	1
14 164 419	SHUTTER BUTTON(FX-3 SUPER)	1
14 165 444	SHUTTER BUTTON(FX-7 SUPER)	1
15 164 422	SHUTTER BUTTON SHAFT	1

NOTE: EXCEPT THE ABOVE MENTIONED
PARTS USE THE PARTS NUMBER
FX-3, FX-7 OF THE ASSEMBLING
CHART.



PARTS NO.	DESCRIPTION	QTY
1 147 836	PENTA PRISM LINER SPRING	2
2 164 505	RELAY BASE	1
3 :	DOUBLE COATED TAPE	1
4 139 862	PENTA PRISM FINDER	1
5 147 837	PENTA CAP	1
6 147 836	PENTA PRISM	1
7 164 841	FINDER MASK FRAME	1
8 147 881	PENTA DUST-PROOF MOQUETTE	1
9 164 504	LED W/FPC	1
10 69103566	LED FIXER S.S	1
11 164 842	LED FIXER	1
12 137 841	M. MOQUETTE	1
13 147 839	FOCUSING GLASS	1
14 148 164	TOP COVER MOQUETTE	1
15 61914026	PENTA PRISM HOLDER S.S	3
16 147 835	PENTA PRISM HOLDER	1
17 147 840	FOCUSING GLASS FIXER	1
18 69103566	FOCUSING GLASS FIXER S.S	4
19 066 751	MIRROR BOX ASS'Y	1

NOTE: EXCEPT THE ABOVE MENTIONED PARTS USE THE PARTS NUMBER FX-3, FX-7 OF THE ASSEMBLING CHART.

PARTS MARKED # ARE NOT AVAILABLE